

# Surpass FCRM/FCR-25AP300P-HP regulator

## FEATURES

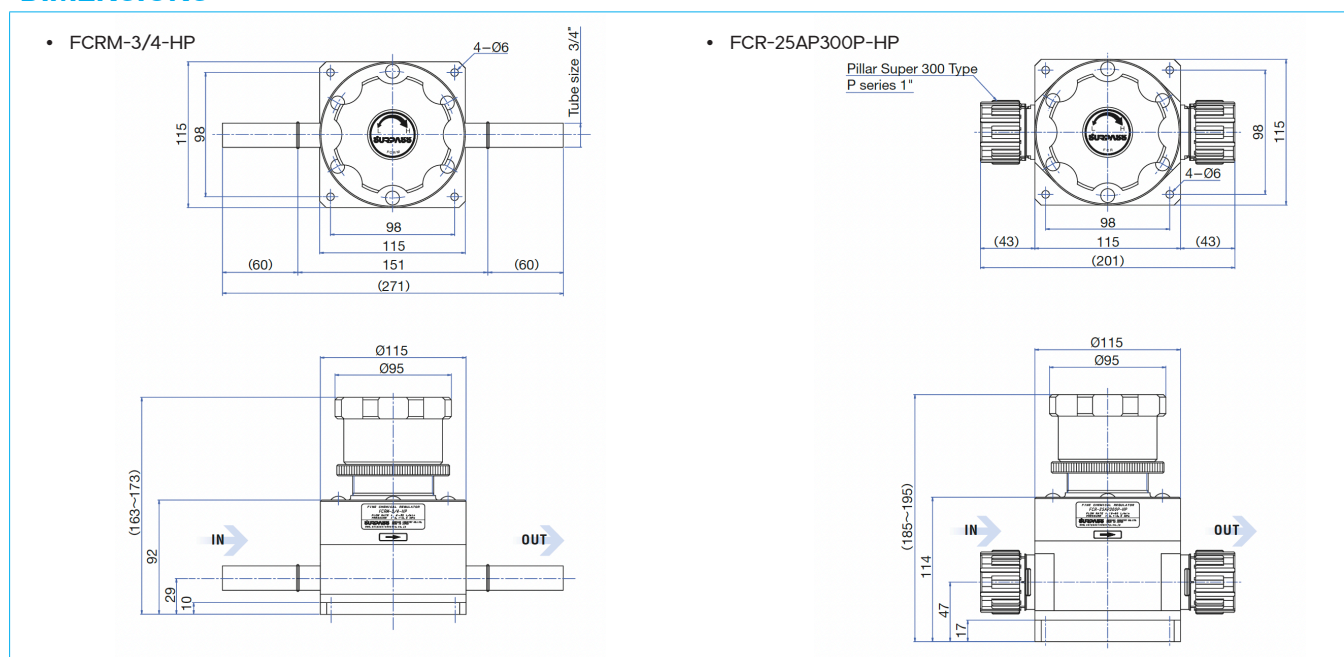
- High-pressure manual constant-pressure control valve, available in 3/4" and 1" sizes.
- This model is suitable for controlling high flow rates.



## SPECIFICATIONS

Type	FCRM-3/4-HP	FCR-25AP300P-HP
Fluids	DI water, Chemicals	DI water
Flow range	4-30L/min	15-60L/min
Inlet pressure range	100-500kPa	
Outlet pressure range	50-200kPa *Depending on certain condition	
Whitstanding pressure	600kPa	
Fluid temperature	10-50°C	
Ambient temperature	10-40°C	
Wetted parts	PFA, PTFE	PTFE
Tube size	3/4" (Ø19.05xØ15.9)	1" (Ø25.4xØ22.2)
Connection size	Tube fitting	Pillar fitting

## DIMENSIONS



## SPECIAL INSTRUCTIONS

- Leak rate of valve seat is less than 1mL/min. (water pressure)
- The regulator does not have shut-off function. (It is not design to be completely closed.)
- In case selling products with inner diameters of more than 10mm to a specific country or region, It is required an export license from the Ministry of Economy, Trade and Industry.

