

Surpass MVH Momentary valve

FEATURES

- Corrosion-resistant PTFE is used for all wetted parts, providing excellent chemical resistance and long-term durability.
- The valve can be opened and closed manually with a simple one-touch operation.
- These valves are well suited for use as emergency shut-off valves, maintenance valves, and filter air vent valves.
- The MVH-□P300P-BK model is equipped with a lockout function base.

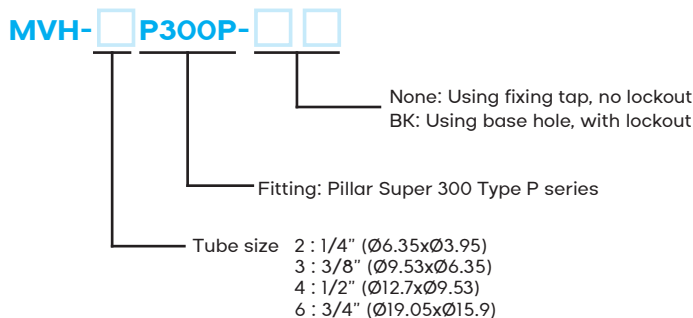


MODELS / SPECIFICATIONS

Type	MVH-2P300P MVH-2P300P-BK	MVH-3P300P MVH-3P300P-BK	MVH-4P300P MVH-4P300P-BK	MVH-6P300P MVH-6P300P-BK
Fluids	Gas, Liquids, DI water, Chemicals			
Body size	□30	□30	□40	□40
Tube size	1/4"	3/8"	1/2"	3/4"
	Ø6.35xØ3.95	Ø9.53xØ6.35	Ø12.7xØ9.53	Ø19.05xØ15.9
Connection type	Pillar fitting			
Connector	Pillar Super 300 Type P series			
Orifice diameter	Ø4	Ø7	Ø10	Ø16
Cv value	0.3	0.8	2.3	5.1
Pressure range A → B	0-500kPa		0-400kPa	
Back pressure B → A	0-300kPa		0-400kPa	
Withstanding pressure	750kPa		1mPA	
Valve seat leakage	0mL/min (water pressure)			
Fluid temperature	0-90°C			
Ambient temperature	0-60°C			
Mounting positions	Flexible			
Wetted parts	PTFE			

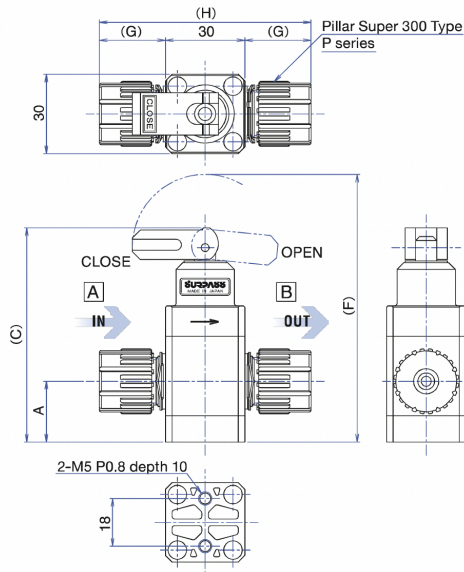
* When using gas such as N₂ or air, valve seat leakage could occur up to 1cm³ / min. (At pneumatic pressure)

MODELS

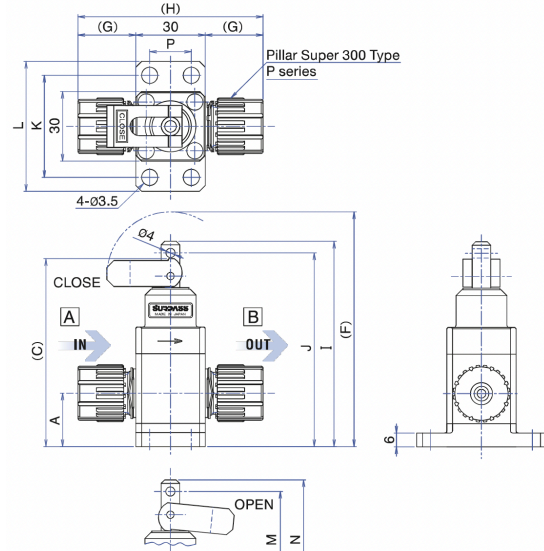


DIMENSIONS

- MVH-2P300P
- MVH-3P300P



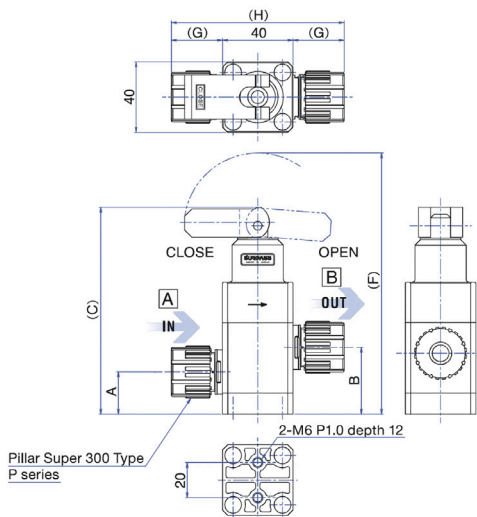
- MVH-2P300P-BK
- MVH-3P300P-BK



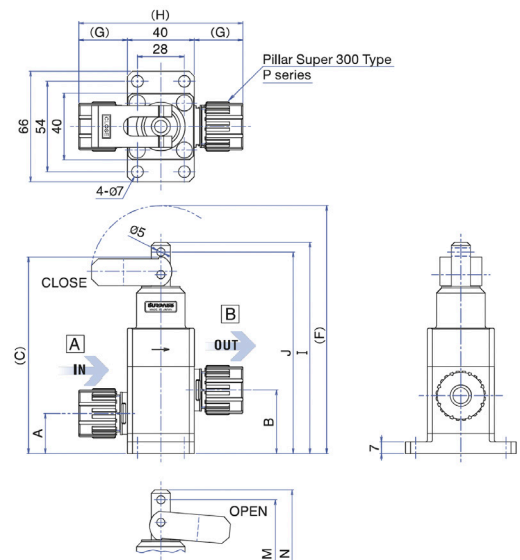
Type	A	(C)	(F)	(G)	(H)
MVH-2P300P	20.5	76	97	19	68
MVH-3P300P	23	81	101	25	80

Type	A	(C)	(F)	(G)	(H)	I	J	K	L	M	N	P
MVH-2P300P-BK	20.5	76	97	19	68	83.5	78.5	38	45	80.5	85.5	20
MVH-3P300P-BK	23	81	101	25	80	88.5	83.5	44	56	85.5	90.5	18

- MVH-4P300P
- MVH-6P300P



- MVH-4P300P-BK
- MVH-6P300P-BK



Type	A	B	(C)	(F)	(G)	(H)
MVH-4P300P	24	38	118	149	29	98
MVH-6P300P	28	48	131	162	36	112

Type	A	B	(C)	(F)	(G)	(H)	I	J	M	N
MVH-4P300P-BK	24	38	117.4	149	29	98	126.3	120.4	124	129.9
MVH-6P300P-BK	28	48	131	162	36	112	139.7	133.8	137.4	143.3

062026REV1

