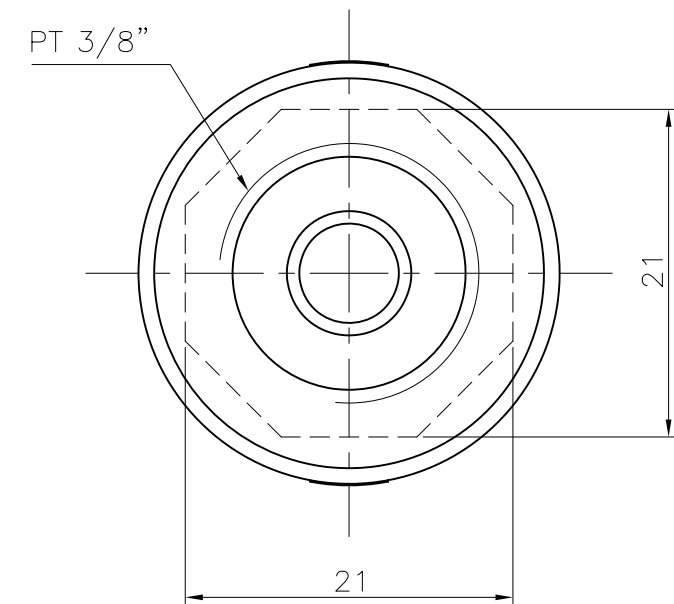
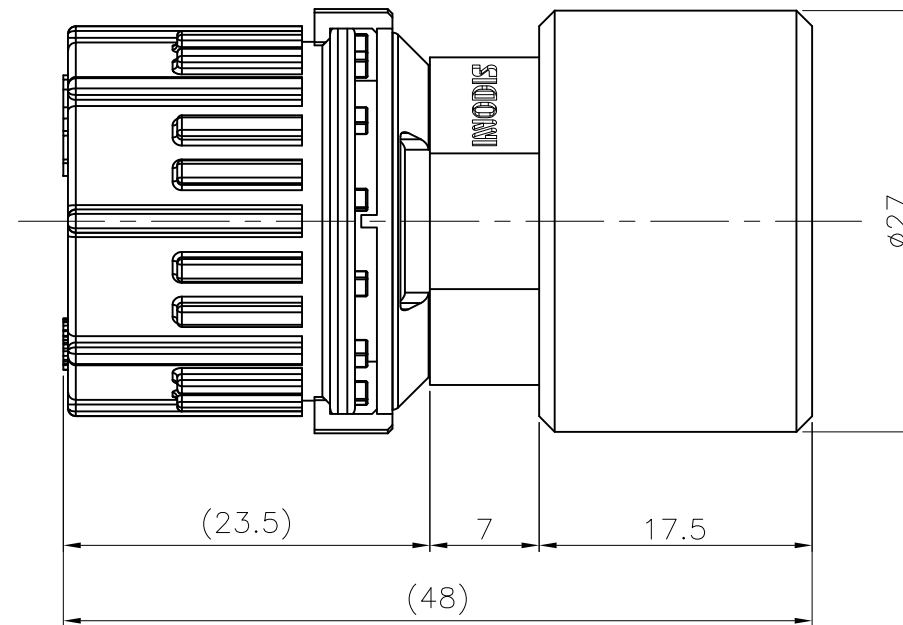
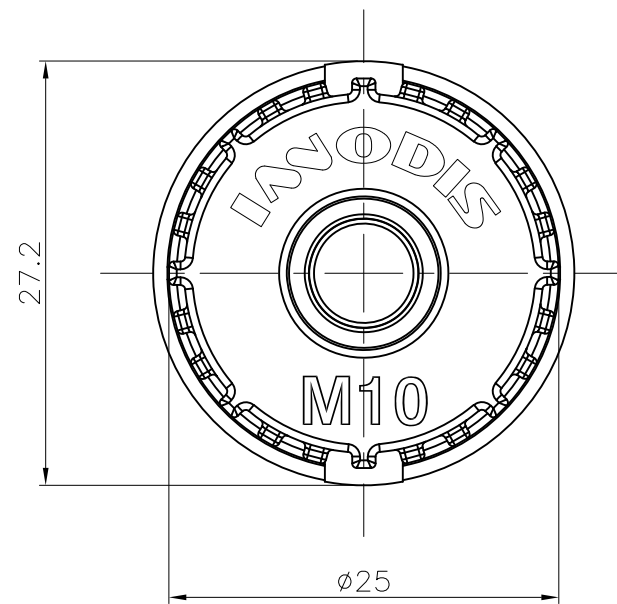



| | | | | |
|----|----------|---------------|-----------|---------|
| 6 | Date | Revision note | Signature | Checked |
| △0 | 19.12.28 | ISO RECORD | HJ.YEAN | - |



★ 모든 치수는 참고용입니다.
★ 此图案的尺寸只需要参考用

| 1 | Female Connector | PFA | 1 | - | - |
|---------|------------------|---|---------------------------------|------|--------|
| NO | PART NAME | MATERIAL | Q'TY | SIZE | REMARK |
| DESIGN | HJ.YEAN | PROJECT | Mega Lock Fitting (10mm-PT 3/8) | | |
| CHECK | | PART | APPROVED DRAWING | | |
| APPR'VE | | DWG NO. | IFC-10m-R38-M1 | R000 | |
| REF NO. | | http://www.inno-dis.com  | | | |
| SCALE | 1 : 1 | | | | |