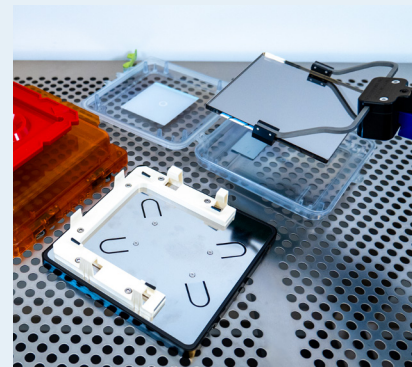
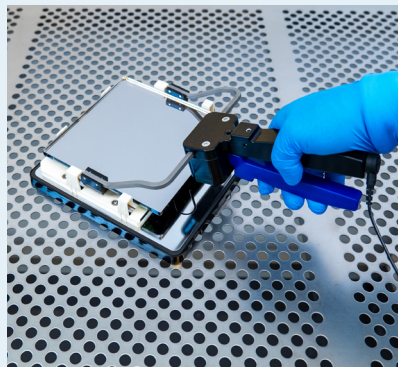
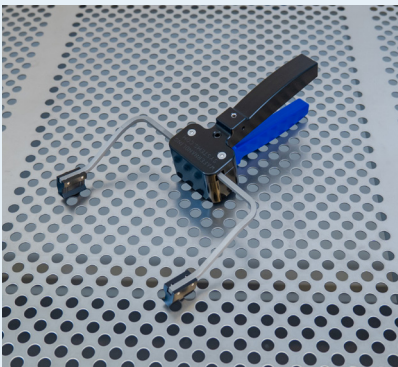
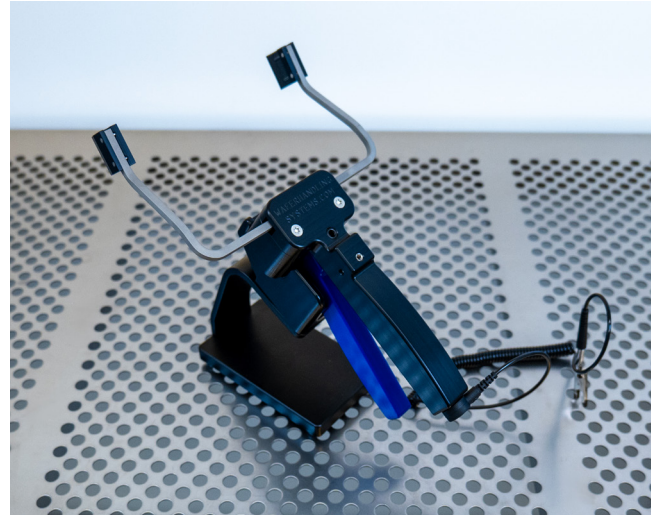


PHOTOMASK HANDLING TOOL

The WHS-L1 series is a precision-engineered, normally-closed (consistent-force) side grip mechanical pick designed for the safe handling of 5" to 9" photomasks. By gripping the mask from the tangential edge, the WHS-L1 prevents contact with sensitive chrome surfaces, minimizing contamination risks and preserving the integrity of photomasks during critical semiconductor processes.

Versatile in its application, the WHS-L1 is ideal for manually transferring photomasks and reticles between storage boxes and production environments, such as Reticle SMIF Pods, Nikon, and Canon reticle boxes. It is also critical for performing macro integrity checks during transfers, allowing operators to inspect for barcodes, particles, defects, or damage to the pellicle frame or film. Additionally, it offers reliable handling



during photomask cleaning and inspection processes.

Constructed from advanced materials, the WHS-L1 is designed for durability, with antistatic properties and chemical resistance, making it suitable for ISO 3 (FS209E Class 1) cleanroom environments. The consistent-force mechanism ensures secure, gentle handling, reducing the risk of damage while providing precise manual control.

The WHS-L1 ships with a specially designed tabletop pedestal holder to keep the mask pick clean and protected from damage between uses, extending its operational life and performance.

Manufactured in an ISO9001 certified facility and CE certified, the WHS-L1 meets international standards for safety and performance. Its robust and reliable design makes it an indispensable tool for photomask handling

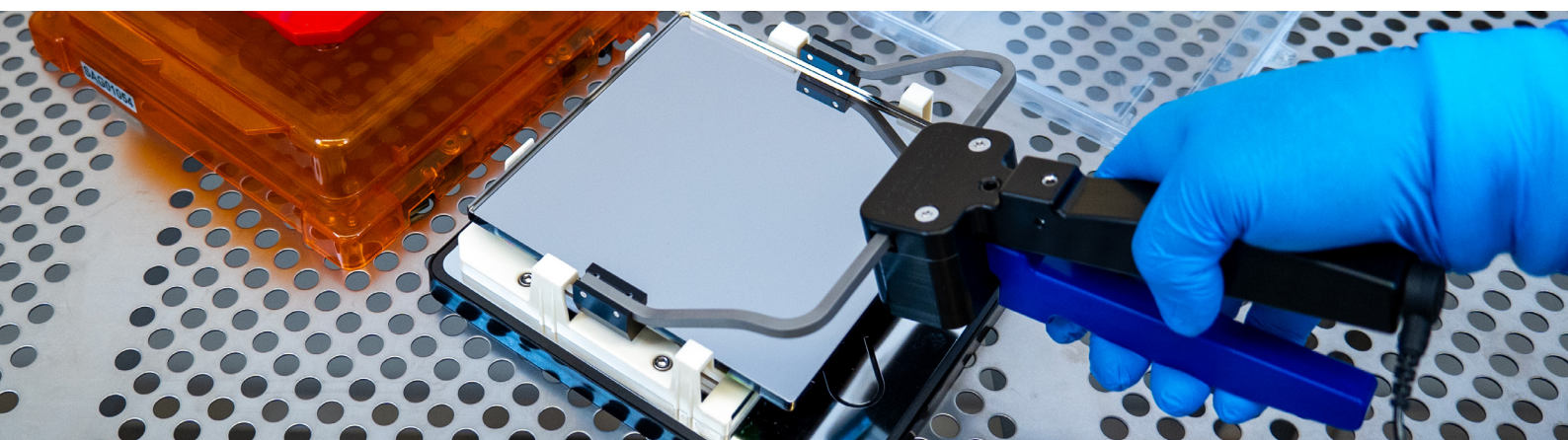
in semiconductor fabrication facilities and mask shops, ensuring contamination-free operation.

FEATURES AND ADVANTAGES

- Tangential edge side grip for 5" to 9" photomasks
- Prevents chrome contact, reducing contamination risks
- Ideal for transfers, inspections, and cleaning processes
- Antistatic, chemical-resistant for ISO 3 cleanroom use
- Includes a pedestal holder for protection and cleanliness between uses

PHOTOMASK HANDLING TOOL

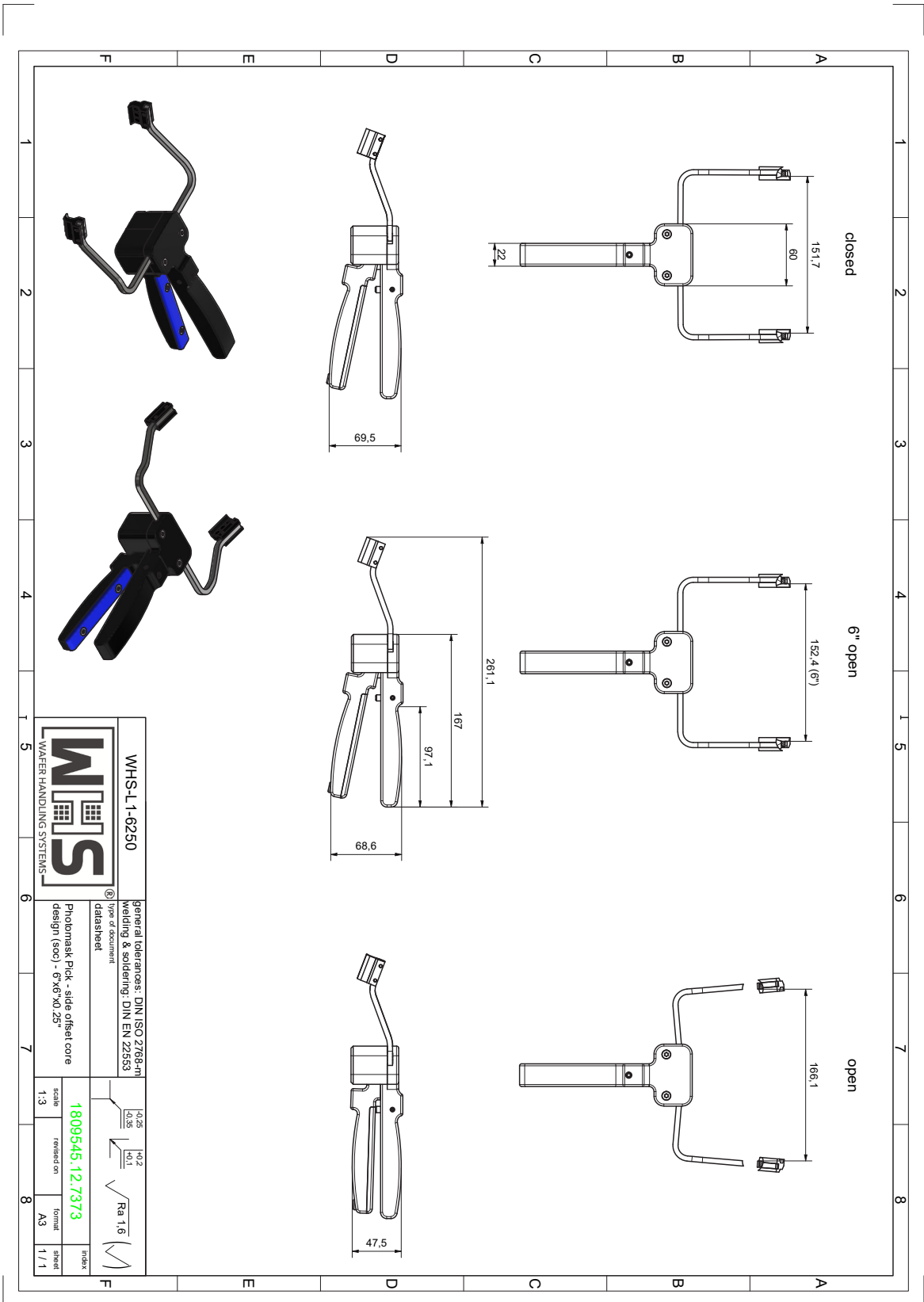
ITEM	SPECIFICATIONS
Mask sizes	5x5x0.090" , 6x6x0.120" , 6x6x0.250" , 7x7x0.120" , 7x7x0.150" , 9x9x0.120"
Material, gripper	Antistatic Polyoxymethylene
Material, gripper insert	Viton elastomer
Grip hold	Normally closed
Cleanliness	ISO 3 (Class 1 FS209E)



ORDERING INFORMATION

WHS-L1 -	5009
----------	------

CODE	MODEL
5009	Mechanical mask pick, side 5x5x0.090
6120	Mechanical mask pick, side 6x6x0.120
6250	Mechanical mask pick, side 6x6x0.250
7120	Mechanical mask pick, side 7x7x0.120
7150	Mechanical mask pick, side 7x7x0.150
9120	Mechanical mask pick, side 9x9x0.120



REVI22024

