

INODIS

YOUR TECHNOLOGY
PARTNER

Supported by SPS-International

CONTENTS

PFA FITTING(Mega Lock Type)

PFA WELDING FITTING(Welding Type)



PFA

Fitting

(Mega Lock Type)

01 Tube to Male pipe thread

- MALE CONNECTOR
- MALE ELBOW
- MALE TEE
- MALE RUN TEE

02 Tube to Female pipe thread

- FEMALE CONNECTOR
- FEMALE ELBOW
- FEMALE TEE

03 Tube to Tube

- UNION CONNECTOR
- UNION ELBOW
- UNION TEE
- REDUCING UNION CONNECTOR
- REDUCING UNION ELBOW
- REDUCING UNION TEE
- PANEL MOUNT UNION CONNECTOR
- PANEL MOUNT NUT

04 Space saver

- REDUCING UNION CONNECTOR ADAPTOR
- REDUCING UNION ELBOW ADAPTOR
- ELBOW ADAPTOR
- TEE ADAPTOR
- MALE CONNECTOR THROUGH (FERRULE TYPE)

05 Others

- TUBE CAP
- CAP SLEEVE / NUT / SLEEVE

06 Fitting Jig

- TUBE EXPANDING JIG
- NUT ASSEMBLY JIG

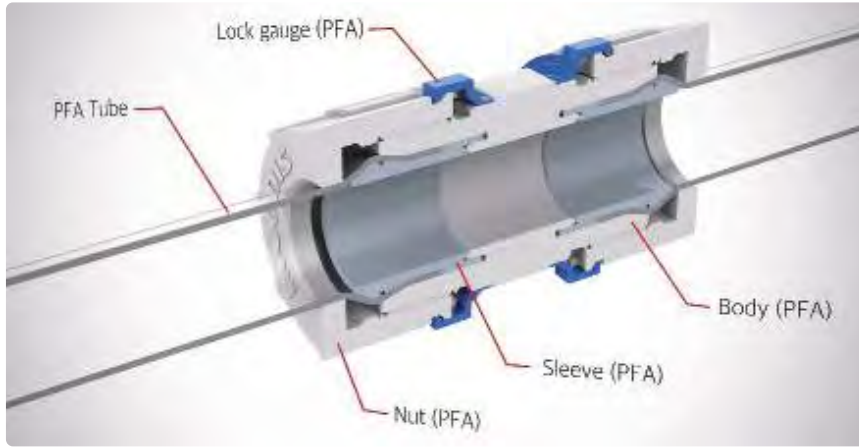
INODIS

PFA FITTING

MEGA LOCK TYPE

5중 실링 구조에 의한 우수한 밀폐력과 튜브보다 높은 인장강도와 최대 200°C에서도 견디는 PFA Fitting입니다.

A PFA fitting with excellent sealing due to its 5-layer sealing structure, higher tensile strength than tubing, and the ability to withstand temperatures up to 200°C.

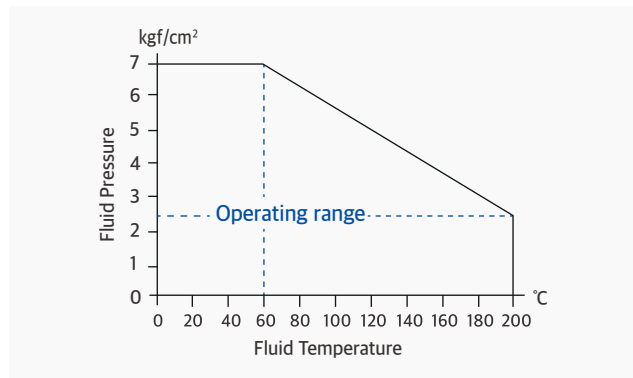


MEGA LOCK TYPE 제품 특성 产品的特性

- Slide 압입 Type의 5중 Sealing 구조
5-layer slide compression sealing
- 미세 진동에 의한 너트 풀림 방지 Lock 기능
Lock prevents nut loosening
- Lock Gauge 홈 확인으로 아이 마킹 불필요
No eye markings needed
- Lock Gauge 홈 확인으로 Gauge 불필요
No gauge required
- PFA Tube 빠짐 현상 기능 개선
Improved PFA tube retention
- 너트 체결 시 조임 토크 저감 설계
Reduced tightening torque
- Lock Gauge 소리 알림 기능으로 너트 체결 용이
Easy nut fastening with sound
- Lock Gauge 육안 확인 기능으로 너트 체결 용이
Easy nut fastening with visual confirmation
- Compact Design

SPECIFICATION

TUBE Material	Max pressure in operation
PFA, PTFE	7kgf/cm ²
Max temperature in operation	Fluid
200°C	For liquid use only
Ambient temperature range	
-15°C ~ 60°C	



TUBE SIZE

Metric connection		Unit : mm	
Tube size O.D × I.D	Thickness	Tolerance	
		O.D	Thickness
3×2	0.5	±0.10	±0.05
4×3			
6×4			
8×6	1.0	±0.12	±0.06
10×8			
12×10			
19×15.8	1.6	±0.20	±0.10
25×22	1.5		

Inch connection		Unit : mm	
Tube size O.D × I.D	Thickness	Tolerance	
		O.D	Thickness
3.18×2.18 (1/8"×0.086")	0.5	±0.10	±0.05
6.35×3.95 (1/4"×5/32")	1.2		
9.53×6.33 (3/8"×1/4")	1.6 (1/16")	±0.12	±0.10
12.7×9.5 (1/2"×3/8")			
19×15.8 (3/4"×5/8")			
25.4×22.2 (1"×7/8")		±0.20	

MEGA LOCK TYPE SEALING 구조 MEGA LOCK TYPE SEALING STRUCTURE

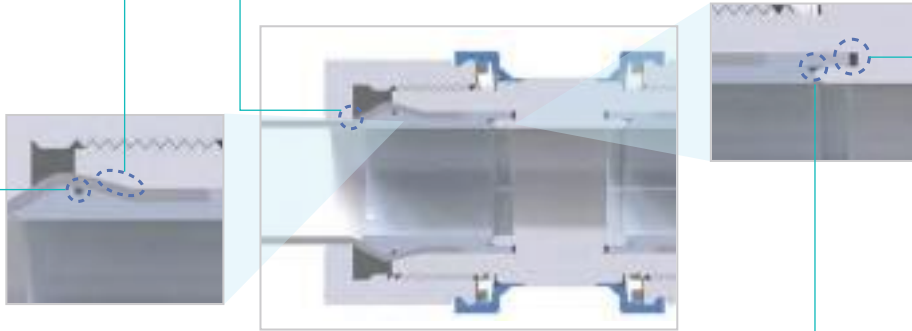
Nut 체결력에 Taper면이 눌러지는 밀폐력으로 2차 Sealing
2nd sealing with Tapered Surface pressed by Nut tightening force

Nut 체결력에 눌러지는 밀폐력으로 1차 Sealing
1st sealing with sealing force pressed by Nut tightening force

Nut 체결력에 Sleeve 돌출링 구간이 Body 홈링 형성 구간에 Slide 압입되어지는 밀폐력으로 3차 Sealing
3rd sealing with Sleeve protrusion ring on Nut tightening force pressing into Body groove ring forming area with slide compression

Sleeve에 홈을 추가하여 홈 모서리에 의한 밀폐력으로 5차 Sealing과 동시에 튜브가 홈 사이에 들어가 걸려 튜브 빠짐 현상 가능 개선
5th sealing by adding grooves to the Sleeve, improving tube retention by trapping the tube between groove edges

Nut 체결력에 Sleeve Taper 홈구간이 Body Taper 형성 구간에 눌러지는 밀폐력으로 4차 Sealing
4th sealing with Sleeve Taper groove section pressed into Body Taper forming area by Nut tightening force



MEGA LOCK TYPE SLIDE 압입 TYPE의 5중 SEALING 구조 SLIDE PRESS-FIT FIVE-SEAL STRUCTURE

MEGA LOCK 너트 체결 확인 Check the tightening status of the MEGA LOCK NUT



너트 체결 상태 불량 (미체결 상태)
Nut not tightened (Not assembled)



너트 체결 상태 양호 (조립 체결)
Nut properly tightened (Assembled)



너트 체결 상태 불량 (과체결 상태)
Nut over-tightened (Over-assembled)

※주의 Warning

- 재조임을 할 경우에는 분리한 Tube와 Sleeve 및 본체의 Seal 면이 상처가 나지 않도록 주의하여 주십시오. 누설의 원인이 되는 경우도 있습니다. When reassembling, be careful not to damage the Seal surfaces of the separated Tube, Sleeve, and Body to avoid potential leaks.
- Nut 재조임은, 10회까지 가능합니다. Nut can be retightened up to 10 times.
- 10회를 넘길 경우에는 Fitting을 교환하여 주십시오. Replace Fitting if exceeded 10 times.

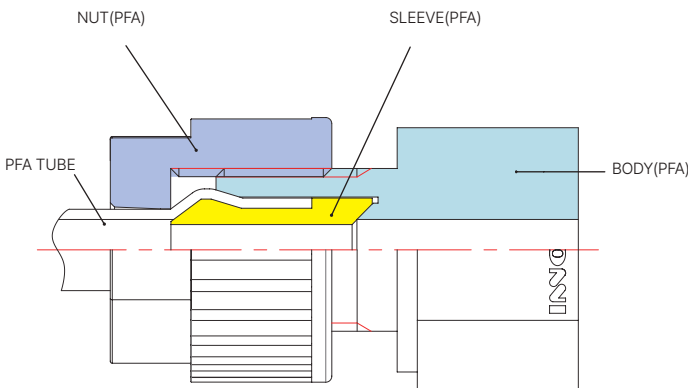
MEGA LOCK FITTING LOCK GAUGE TYPE



SLEEVE 삽입 절차 SLEEVE 安插步骤

- Sleeve를 Tube에 삽입하기 전에 Nut의 방향을 확인하고 Sleeve를 Tube에 삽입해 주시기 바랍니다.
Confirm Nut direction before inserting Sleeve into Tube.
- Sleeve를 Tube에 삽입할 때 Tube와 Sleeve의 Tube 끝단 사이에 간격이 남아 있을 수 있습니다.
이 경우 Sleeve와 Tube의 간격이 Sleeve 직선 구간의 80%이상 Tube를 삽입해 주시기 바랍니다.
When inserting the Sleeve into the Tube, there may be a gap between the Tube and the Tube end of the Sleeve.
In this case, ensure that the Sleeve and Tube overlap by at least 80% in the straight section of the Sleeve.
- Sleeve가 삽입된 Tube를 Fitting & Unit에 삽입하고, Lock Gauge가 Nut 체결 홈에 들어갈 때까지 Nut를 회전 체결해주시기 바랍니다.
소리가 들림과 동시에 Lock Gauge가 Nut 체결 홈에 들어가는 것이 보일 것입니다.
Insert the Tube with the Sleeve into the Fitting & Unit, and tighten the Nut until the Lock Gauge enters the Nut fastening groove.
You will hear a sound, and at the same time, you will see the Lock Gauge entering the Nut fastening groove.
- 너트 체결 전용 지그를 사용하면 Nut를 보다 효율적으로 조일 수 있습니다.
Using a dedicated jig for Nut tightening can make the process more efficient
- * 주의 : Fitting 재사용의 경우 Sleeve 분해 시 Tube를 상하좌우로 흔들어서 분리하여 주시기 바랍니다.
무리하게 Sleeve 분해 시 Sleeve에서 Tube가 분리 될 우려가 있습니다.
- * Caution : When reusing Fitting, gently shake Tube in all directions to separate it from Sleeve during disassembly
Forcibly disassembling the Sleeve may risk separating the Tube.

SMALL SIZED MODELS (1/8", 3MM, 4MM)



SMALL SIZED MODELS

(1/8", 3MM, 4MM)

소형 Fitting에는 Lock Gauge가 장착되지 않으므로 제조 업체에 문의 하시기 바랍니다.

For small Fittings without Lock Gauges, contact the manufacturer for inquiries.

- 사양 및 치수는 변경 될 수 있습니다.
Specifications and dimensions are subject to change.
- 모든 치수는 참고용입니다.
All dimensions are for reference only.
- 이 카탈로그의 데이터는 참고용이며 보증으로 해석되어서는 안됩니다.
The data in this catalog is for reference and should not be interpreted as a guarantee



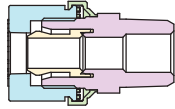
주의 Caution

안전을 위해 설치 및 작동 전에 지침을 따르십시오.
Follow the instructions for safety during installation and operation.

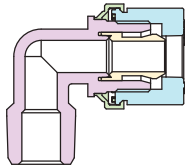
07 CONTENT

목차

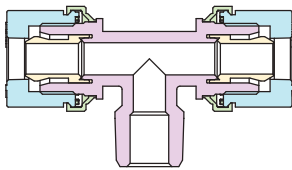
01 TUBE TO MALE PIPE THREAD



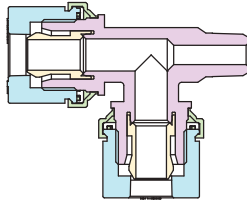
MALE CONNECTOR 68 - 70



MALE ELBOW 71 - 72

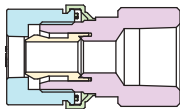


MALE TEE 73 - 74

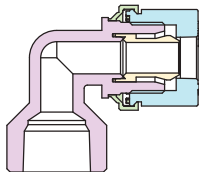


MALE RUN TEE 75

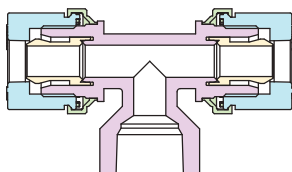
02 TUBE TO FEMALE PIPE THREAD



FEMALE CONNECTOR 78 - 79

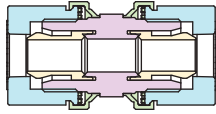


FEMALE ELBOW 80 - 81

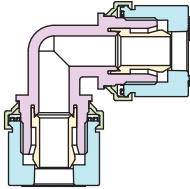


FEMALE TEE 82 - 83

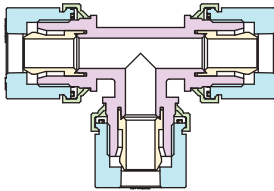
03 TUBE TO TUBE



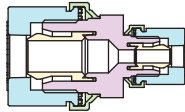
UNION CONNECTOR 86



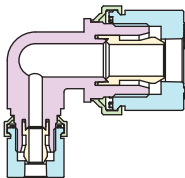
UNION ELBOW 86



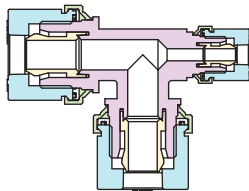
UNION TEE 86



REDUCING UNION CONNECTOR 87



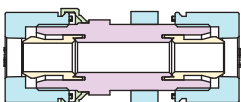
REDUCING UNION ELBOW 88



REDUCING UNION TEE 89 - 90

PANEL MOUNT UNION CONNECTOR

PANEL MOUNT NUT



..... 91 - 92

PFA 사출
Injection VALVE

PTFE 가공
PTFE Processing

PVC 사출
Injection VALVE

SUS VALVE

BELLOWS PUMP

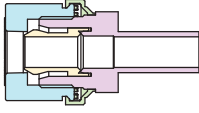
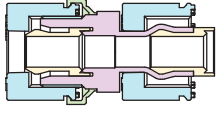
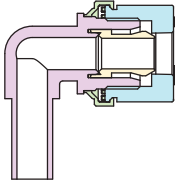
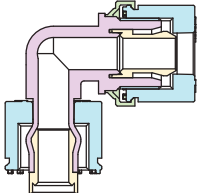
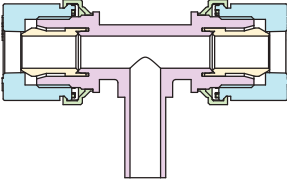
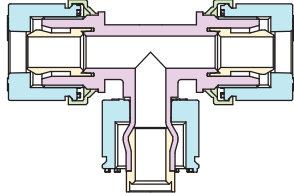
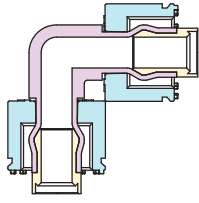
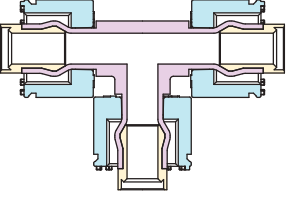
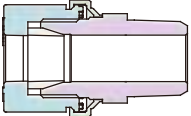
FLOWMETER

PFA FITTING
(Mega Lock Type)

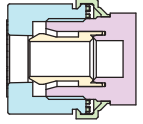
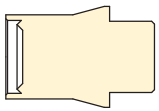
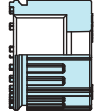
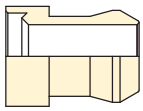
PFA WELDING FITTING
(Welding Type)

PRODUCTS

04 SPACE SAVER

		UNION CONNECTOR ADAPTOR	95
		UNION ELBOW ADAPTOR	96
		UNION TEE ADAPTOR	97 - 104
	ELBOW ADAPTOR	106	
	TEE ADAPTOR	106	
	MALE CONNECTOR THROUGH (FERRULE TYPE)	107	

05 OTHERS

TUBE CAP		109
CAP SLEEVE			
NUT			
SLEEVE		111

06 FITTING JIG

TUBE EXPANDING JIG	113
NUT ASSEMBLY JIG	113

01

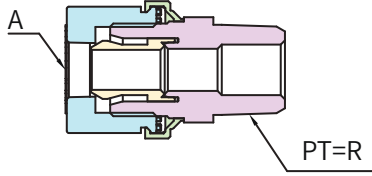
Tube to Male pipe thread

MALE CONNECTOR
MALE ELBOW
MALE TEE
MALE RUN TEE

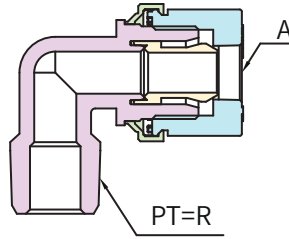
MALE

MEGA LOCK TYPE

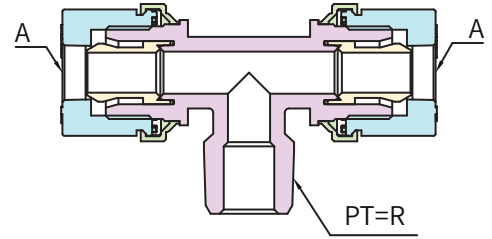
MALE CONNECTOR



MALE ELBOW



MALE TEE



IMC - 12i - R38 - M1

M1 : Mega Lock Type (사출 Injection)

Size : R=PT
N=NPT

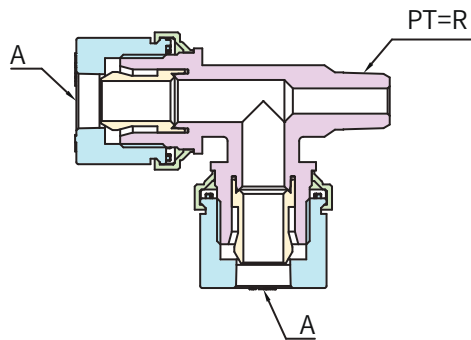
Tube Size : A (i=inch/m=mm)

IMC : Innodis Male Connector

IME : Innodis Male Elbow

IMT : Innodis Male Tee

MALE RUN TEE



IMRT - 12i - 12i - R38 - M1

M1 : Mega Lock Type (사출 Injection)

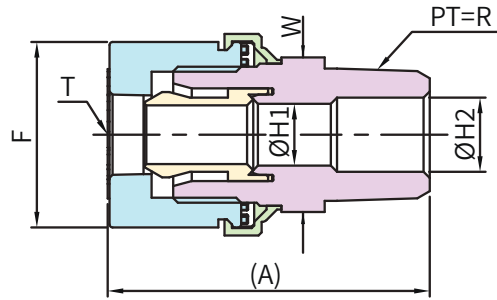
Size : R=PT
N=NPT

Tube Size : A (i=inch/m=mm)

IMRT : Innodis Male Run Tee

MALE CONNECTOR

IMC



PART No.	Tube Size	Thread Size	(A)	ØH1	ØH2	F	W
metric connection (R=PT) Dimension : mm							
IMC - 3m - R18 - M1	3 x 2	R 1/8	28	3	3	12.7	12
IMC - 4m - R18 - M1	4 x 3	"	"	"	"	"	"
IMC - 6m - R18 - M1	6 x 4	"	34.9	4	4	17	16
IMC - 6m - R14 - M1	"	R 1/4	38.8	"	6	"	"
IMC - 6m - R38 - M1	"	R 3/8	38.9	"	10	"	"
IMC - 6m - R12 - M1	"	R 1/2	44.9	"	12	"	21
IMC - 8m - R18 - M1	8 x 6	R 1/8	36.7	6	4	20	18
IMC - 8m - R14 - M1	"	R 1/4	40.7	"	6	"	"
IMC - 8m - R38 - M1	"	R 3/8	"	"	10	"	"
IMC - 8m - R12 - M1	"	R 1/2	44.7	"	12	"	21
IMC - 10m - R18 - M1	10 x 8	R 1/8	39.5	8	4	25	21
IMC - 10m - R14 - M1	"	R 1/4	43.5	"	6	"	"
IMC - 10m - R38 - M1	"	R 3/8	"	"	10	"	"
IMC - 10m - R12 - M1	"	R 1/2	47.5	"	12	"	"
IMC - 10m - R34 - M1	"	R 3/4	49.5	"	16	"	25
IMC - 12m - R14 - M1	12 x 10	R 1/4	48.2	10	6	30	"
IMC - 12m - R38 - M1	"	R 3/8	"	"	10	"	"
IMC - 12m - R12 - M1	"	R 1/2	52.2	"	12	"	"
IMC - 12m - R34 - M1	"	R 3/4	54.2	"	16	"	"
IMC - 19m - R14 - M1	19 x 15.8	R 1/4	58.4	16	6	40	34
IMC - 19m - R38 - M1	"	R 3/8	"	"	10	"	"
IMC - 19m - R12 - M1	"	R 1/2	62.4	"	12	"	"
IMC - 19m - R34 - M1	"	R 3/4	64.3	"	16	"	"
IMC - 19m - R1 - M1	"	R 1	67.4	"	22	"	"
IMC - 25m - R12 - M1	25 x 22	R 1/2	73.1	22	12	50.5	43
IMC - 25m - R34 - M1	"	R 3/4	75.1	"	16	"	"
IMC - 25m - R1 - M1	"	R 1	78.1	"	22	"	"
Inch connection (R=PT) Dimension : mm							
IMC - 18i - R18 - M1	1/8" x 0.086"	R 1/8	28	3	3	12.7	12
IMC - 14i - R18 - M1	1/4" x 5/32"	"	34.9	4	4	17	16
IMC - 14i - R14 - M1	"	R 1/4	38.8	"	6	"	"
IMC - 14i - R38 - M1	"	R 3/8	38.9	"	10	"	"
IMC - 14i - R12 - M1	"	R 1/2	44.9	"	12	"	21
IMC - 38i - R18 - M1	3/8" x 1/4"	R 1/8	39.5	8	4	25	21
IMC - 38i - R14 - M1	"	R 1/4	43.5	"	6	"	"
IMC - 38i - R38 - M1	"	R 3/8	"	"	10	"	"
IMC - 38i - R12 - M1	"	R 1/2	47.5	"	12	"	"
IMC - 38i - R34 - M1	"	R 3/4	49.5	"	16	"	25
IMC - 12i - R14 - M1	1/2" x 3/8"	R 1/4	48.2	10	6	30	"
IMC - 12i - R38 - M1	"	R 3/8	"	"	10	"	"
IMC - 12i - R12 - M1	"	R 1/2	52.2	"	12	"	"
IMC - 12i - R34 - M1	"	R 3/4	54.2	"	16	"	"
IMC - 34i - R14 - M1	3/4" x 5/8"	R 1/4	58.4	16	6	40	34
IMC - 34i - R38 - M1	"	R 3/8	"	"	10	"	"
IMC - 34i - R12 - M1	"	R 1/2	62.4	"	12	"	"
IMC - 34i - R34 - M1	"	R 3/4	64.3	"	16	"	"
IMC - 34i - R1 - M1	"	R 1	67.4	"	22	"	"
IMC - 1i - R12 - M1	1" x 7/8"	R 1/2	73.1	22	12	50.5	43
IMC - 1i - R34 - M1	"	R 3/4	75.1	"	16	"	"
IMC - 1i - R1 - M1	"	R 1	78.1	"	22	"	"

•PART NO. 외에 사이즈는 영업부에 문의하여 주시기 바랍니다 PART NO. Please inquire about other sizes with the sales department

PFA 사출
Injection VALVE

PTFE 가공
PTFE Processing

PVC 사출
Injection VALVE

SUS VALVE

BELLOWS PUMP

FLOWMETER

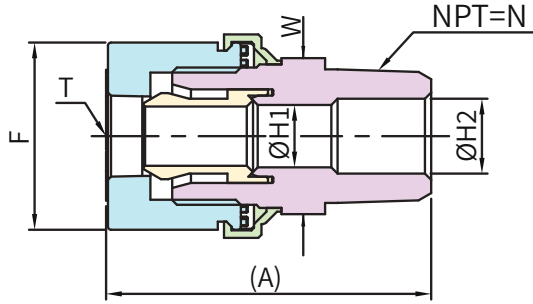
PFA FITTING
(Mega Lock Type)

PFA WELDING FITTING
(Welding Type)

PRODUCTS

MALE CONNECTOR

IMC



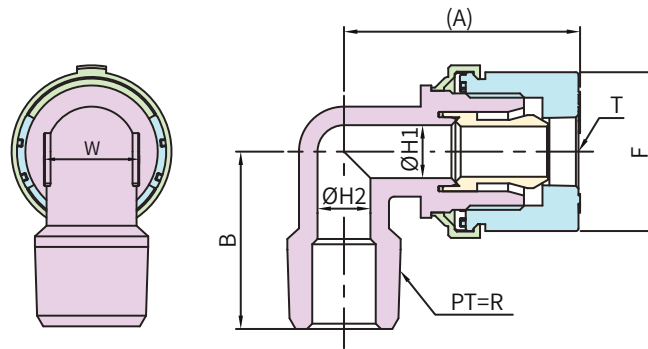
PART No.	Tube Size	Thread Size	(A)	ØH1	ØH2	F	W
metric connection (N=NPT) Dimension : mm							
IMC - 6m - N18 - M1	6 x 4	NPT 1/8	34.9	4	4	17	16
IMC - 6m - N14 - M1	''	NPT 1/4	38.8	''	6	''	''
IMC - 6m - N38 - M1	''	NPT 3/8	38.9	''	10	''	''
IMC - 8m - N38 - M1	8 x 6	NPT 3/8	40.7	6	10	20	18
IMC - 10m - N14 - M1	10 x 8	NPT 1/4	43.5	8	6	25	21
IMC - 10m - N38 - M1	''	NPT 3/8	''	''	10	''	''
IMC - 10m - N12 - M1	''	NPT 1/2	47.5	''	12	''	''
IMC - 12m - N38 - M1	12 x 10	NPT 3/8	48.2	10	10	30	25
IMC - 12m - N12 - M1	''	NPT 1/2	52.2	''	12	''	''
IMC - 12m - N34 - M1	''	NPT 3/4	54.2	''	16	''	''
IMC - 19m - N12 - M1	19 x 15.8	NPT 1/2	62.4	16	12	40	34
IMC - 19m - N34 - M1	''	NPT 3/4	64.3	''	16	''	''
IMC - 19m - N1 - M1	''	NPT 1	67.4	''	22	''	''
IMC - 25m - N12 - M1	25 x 22	NPT 1/2	73.1	22	12	50.5	43
IMC - 25m - N34 - M1	''	NPT 3/4	75.1	''	16	''	''
IMC - 25m - N1 - M1	''	NPT 1	78.1	''	22	''	''

Inch connection (N=NPT) Dimension : mm							
IMC - 14i - N18 - M1	1/4" x 5/32"	NPT 1/8	34.9	4	4	17	16
IMC - 14i - N14 - M1	''	NPT 1/4	38.8	''	6	''	''
IMC - 14i - N38 - M1	''	NPT 3/8	38.9	''	10	''	''
IMC - 38i - N14 - M1	3/8" x 1/4"	NPT 1/4	43.5	8	6	25	21
IMC - 38i - N38 - M1	''	NPT 3/8	''	''	10	''	''
IMC - 38i - N12 - M1	''	NPT 1/2	47.5	''	12	''	''
IMC - 12i - N38 - M1	1/2" x 3/8"	NPT 3/8	48.2	10	10	30	25
IMC - 12i - N12 - M1	''	NPT 1/2	52.2	''	12	''	''
IMC - 12i - N34 - M1	''	NPT 3/4	54.2	''	16	''	''
IMC - 34i - N12 - M1	3/4" x 5/8"	NPT 1/2	62.4	16	12	40	34
IMC - 34i - N34 - M1	''	NPT 3/4	64.3	''	16	''	''
IMC - 34i - N1 - M1	''	NPT 1	67.4	''	22	''	''
IMC - 1i - N12 - M1	1" x 7/8"	NPT 1/2	73.1	22	12	50.5	43
IMC - 1i - N34 - M1	''	NPT 3/4	75.1	''	16	''	''
IMC - 1i - N1 - M1	''	NPT 1	78.1	''	22	''	''

•PART NO. 외에 사이즈는 영업부에 문의하여 주시기 바랍니다 PART NO. Please inquire about other sizes with the sales department

MALE ELBOW

IME



PART No.	Tube Size	Thread Size	(A)	B	ØH1	ØH2	F	W	
metric connection (R=PT)								Dimension : mm	
IME - 3m - R18 - M1	3 x 2	R 1/8	24.1	19.2	3	3	12.7	7	
IME - 4m - R18 - M1	4 x 3	"	"	"	"	"	"	"	
IME - 6m - R18 - M1	6 x 4	"	30.4	20.5	4	4	17	9.6	
IME - 6m - R14 - M1	"	R 1/4	30.3	25.5	"	"	"	"	
IME - 6m - R38 - M1	"	R 3/8	30.4	25	"	"	"	"	
IME - 6m - R12 - M1	"	R 1/2	33.4	31.5	"	8	"	14.8	
IME - 8m - R14 - M1	8 x 6	R 1/4	33.7	26.5	6	6	20	13	
IME - 8m - R38 - M1	"	R 3/8	"	"	"	"	"	"	
IME - 10m - R18 - M1	10 x 8	R 1/8	37.7	23.2	8	4	25	14.8	
IME - 10m - R14 - M1	"	R 1/4	"	27.7	"	6	"	"	
IME - 10m - R38 - M1	"	R 3/8	"	"	"	8	"	"	
IME - 10m - R12 - M1	"	R 1/2	"	31.2	"	"	"	"	
IME - 12m - R14 - M1	12 x 10	R 1/4	44.2	29.5	10	6	30	18	
IME - 12m - R38 - M1	"	R 3/8	"	"	"	10	"	"	
IME - 12m - R12 - M1	"	R 1/2	"	33	"	"	"	"	
IME - 12m - R34 - M1	"	R 3/4	"	35	"	"	"	"	
IME - 19m - R38 - M1	19 x 15.8	R 3/8	56.4	34	16	10	40	27	
IME - 19m - R12 - M1	"	R 1/2	"	37.5	"	12	"	"	
IME - 19m - R34 - M1	"	R 3/4	"	39.5	"	16	"	"	
IME - 19m - R1 - M1	"	R 1	"	"	"	"	"	"	
IME - 25m - R38 - M1	25 x 22	R 3/8	67.7	38.3	22	10	50.5	34	
IME - 25m - R12 - M1	"	R 1/2	"	41.8	"	12	"	"	
IME - 25m - R34 - M1	"	R 3/4	"	43.8	"	16	"	"	
IME - 25m - R1 - M1	"	R 1	"	47.8	"	22	"	"	
Inch connection (R=PT)								Dimension : mm	
IME - 18i - R18 - M1	1/8" x 0.086"	R 1/8	24.1	19.2	3	3	12.7	7	
IME - 14i - R18 - M1	1/4" x 5/32"	"	30.4	20.5	4	4	17	9.6	
IME - 14i - R14 - M1	"	R 1/4	30.3	25.5	"	"	"	"	
IME - 14i - R38 - M1	"	R 3/8	30.4	25	"	"	"	"	
IME - 14i - R12 - M1	"	R 1/2	33.4	31.5	"	8	"	14.8	
IME - 38i - R18 - M1	3/8" x 1/4"	R 1/8	37.7	23.2	8	4	25	"	
IME - 38i - R14 - M1	"	R 1/4	"	27.7	"	6	"	"	
IME - 38i - R38 - M1	"	R 3/8	"	"	"	8	"	"	
IME - 38i - R12 - M1	"	R 1/2	"	31.2	"	"	"	"	
IME - 12i - R14 - M1	1/2" x 3/8"	R 1/4	44.2	29.5	10	6	30	18	
IME - 12i - R38 - M1	"	R 3/8	"	"	"	10	"	"	
IME - 12i - R12 - M1	"	R 1/2	"	33	"	"	"	"	
IME - 12i - R34 - M1	"	R 3/4	"	35	"	"	"	"	
IME - 34i - R38 - M1	3/4" x 5/8"	R 3/8	56.4	34	16	10	40	27	
IME - 34i - R12 - M1	"	R 1/2	"	37.5	"	12	"	"	
IME - 34i - R34 - M1	"	R 3/4	"	39.5	"	16	"	"	
IME - 34i - R1 - M1	"	R 1	"	"	"	"	"	"	
IME - 1i - R38 - M1	1" x 7/8"	R 3/8	67.7	38.3	22	10	50.5	34	
IME - 1i - R12 - M1	"	R 1/2	"	41.8	"	12	"	"	
IME - 1i - R34 - M1	"	R 3/4	"	43.8	"	16	"	"	
IME - 1i - R1 - M1	"	R 1	"	47.8	"	22	"	"	

•PART NO. 외에 사이즈는 영업부에 문의하여 주시기 바랍니다 PART NO. Please inquire about other sizes with the sales department

PFA 소재
Injection VALVE

PTFE 기공
PTFE Processing

PVC 소재
Injection VALVE

SUS VALVE

BELLOWS PUMP

FLOWMETER

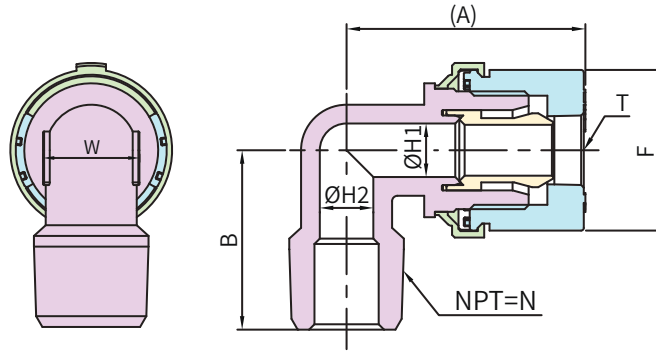
PFA FITTING
(Mega Lock Type)

PFA WELDING FITTING
(Welding Type)

PRODUCTS

MALE ELBOW

IME

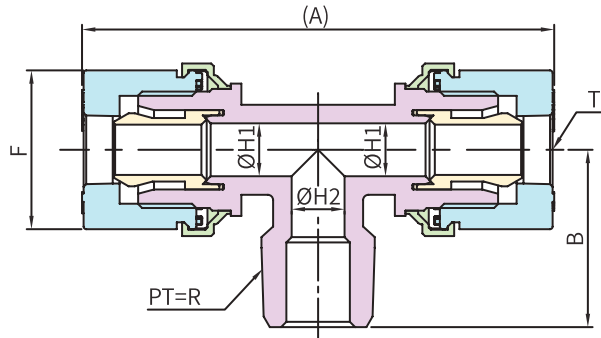
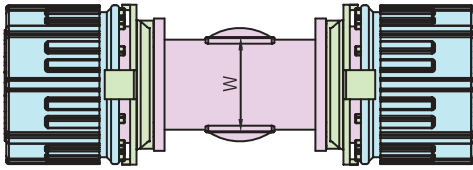


PART No.	Tube Size	Thread Size	(A)	(B)	ØH1	ØH2	F	W
metric connection (N=NPT) Dimension : mm								
IME - 6m - N18 - M1	6 x 4	NPT 1/8	30.4	20.5	4	4	17	9.6
IME - 6m - N14 - M1	"	NPT 1/4	"	25.5	"	"	"	"
IME - 6m - N38 - M1	"	NPT 3/8	"	25	"	"	"	"
IME - 8m - N38 - M1	8 x 6	NPT 3/8	33.7	26.5	6	6	20	13
IME - 10m - N14 - M1	10 x 8	NPT 1/4	37.7	27.7	8	6	25	14.8
IME - 10m - N38 - M1	"	NPT 3/8	"	"	"	8	"	"
IME - 10m - N12 - M1	"	NPT 1/2	"	31.2	"	"	"	"
IME - 12m - N38 - M1	12 x 10	NPT 3/8	44.2	29.5	10	10	30	18
IME - 12m - N12 - M1	"	NPT 1/2	"	33	"	"	"	"
IME - 12m - N34 - M1	"	NPT 3/4	"	35	"	"	"	"
IME - 19m - N12 - M1	19 x 15.8	NPT 1/2	56.4	37.5	16	12	40	27
IME - 19m - N34 - M1	"	NPT 3/4	"	39.5	"	16	"	"
IME - 19m - N1 - M1	"	NPT 1	"	"	"	"	"	"
IME - 25m - N12 - M1	25 x 22	NPT 1/2	67.7	41.8	22	12	50.5	34
IME - 25m - N34 - M1	"	NPT 3/4	"	43.8	"	16	"	"
IME - 25m - N1 - M1	"	NPT 1	"	47.8	"	22	"	"
Inch connection (N=NPT) Dimension : mm								
IME - 14i - N18 - M1	1/4" x 5/32"	NPT 1/8	30.4	20.5	4	4	17	9.6
IME - 14i - N14 - M1	"	NPT 1/4	"	25.5	"	"	"	"
IME - 14i - N38 - M1	"	NPT 3/8	"	25	"	"	"	"
IME - 38i - N14 - M1	3/8" x 1/4"	NPT 1/4	37.7	27.7	8	6	25	14.8
IME - 38i - N38 - M1	"	NPT 3/8	"	"	"	8	"	"
IME - 38i - N12 - M1	"	NPT 1/2	"	31.2	"	"	"	"
IME - 12i - N38 - M1	1/2" x 3/8"	NPT 3/8	44.2	29.5	10	10	30	18
IME - 12i - N12 - M1	"	NPT 1/2	"	33	"	"	"	"
IME - 12i - N34 - M1	"	NPT 3/4	"	35	"	"	"	"
IME - 34i - N12 - M1	3/4" x 5/8"	NPT 1/2	56.4	37.5	16	12	40	27
IME - 34i - N34 - M1	"	NPT 3/4	"	39.5	"	16	"	"
IME - 34i - N1 - M1	"	NPT 1	"	"	"	"	"	"
IME - 1i - N12 - M1	1" x 7/8"	NPT 1/2	67.7	41.8	22	12	50.5	34
IME - 1i - N34 - M1	"	NPT 3/4	"	43.8	"	16	"	"
IME - 1i - N1 - M1	"	NPT 1	"	47.8	"	22	"	"

•PART NO. 외에 사이즈는 영업부에 문의하여 주시기 바랍니다 PART NO. Please inquire about other sizes with the sales department

MALE TEE

IMT



PART No.	Tube Size	Thread Size	(A)	B	ØH1	ØH2	F	W
metric connection (R=PT) Dimension : mm								
IMT - 3m - R18 - M1	3 x 2	R 1/8	48.1	19.2	3	3	12.7	7
IMT - 4m - R18 - M1	4 x 3	"	"	"	"	"	"	"
IMT - 6m - R18 - M1	6 x 4	"	60.8	20.5	4	4	17	9.6
IMT - 6m - R14 - M1	"	R 1/4	"	25.5	"	"	"	"
IMT - 6m - R38 - M1	"	R 3/8	"	25	"	"	"	"
IMT - 8m - R14 - M1	8 x 6	R 1/4	67.4	26.5	6	6	20	13
IMT - 8m - R38 - M1	"	R 3/8	"	"	"	"	"	"
IMT - 10m - R14 - M1	10 x 8	R 1/4	75.8	27.8	8	8	25	14.8
IMT - 10m - R38 - M1	"	R 3/8	"	"	"	"	"	"
IMT - 10m - R12 - M1	"	R 1/2	"	31.3	"	"	"	"
IMT - 12m - R14 - M1	12 x 10	R 1/4	88.9	29.5	10	6	30	18
IMT - 12m - R38 - M1	"	R 3/8	"	"	"	10	"	"
IMT - 12m - R12 - M1	"	R 1/2	"	33	"	"	"	"
IMT - 12m - R34 - M1	"	R 3/4	"	35	"	"	"	"
IMT - 19m - R38 - M1	19 x 15.8	R 3/8	112.8	34	16	10	40	27
IMT - 19m - R12 - M1	"	R 1/2	"	37.5	"	12	"	"
IMT - 19m - R34 - M1	"	R 3/4	"	39.5	"	16	"	"
IMT - 19m - R1 - M1	"	R 1	"	"	"	"	"	"
IMT - 25m - R12 - M1	25 x 22	R 1/2	135.8	42	22	12	50.5	34
IMT - 25m - R34 - M1	"	R 3/4	"	44	"	16	"	"
IMT - 25m - R1 - M1	"	R 1	"	48	"	22	"	"
Inch connection (R=PT) Dimension : mm								
IMT - 18i - R18 - M1	1/8" x 0.086"	R 1/8	48.1	19.2	3	3	12.7	7
IMT - 14i - R18 - M1	1/4" x 5/32"	"	60.8	20.5	4	4	17	9.6
IMT - 14i - R14 - M1	"	R 1/4	"	25.5	"	"	"	"
IMT - 14i - R38 - M1	"	R 3/8	"	25	"	"	"	"
IMT - 38i - R14 - M1	3/8" x 1/4"	R 1/4	75.8	27.8	8	8	25	14.8
IMT - 38i - R38 - M1	"	R 3/8	"	"	"	"	"	"
IMT - 38i - R12 - M1	"	R 1/2	"	31.3	"	"	"	"
IMT - 12i - R14 - M1	1/2" x 3/8"	R 1/4	88.9	29.5	10	6	30	18
IMT - 12i - R38 - M1	"	R 3/8	"	"	"	10	"	"
IMT - 12i - R12 - M1	"	R 1/2	"	33	"	"	"	"
IMT - 12i - R34 - M1	"	R 3/4	"	35	"	"	"	"
IMT - 34i - R38 - M1	3/4" x 5/8"	R 3/8	112.8	34	16	10	40	27
IMT - 34i - R12 - M1	"	R 1/2	"	37.5	"	12	"	"
IMT - 34i - R34 - M1	"	R 3/4	"	39.5	"	16	"	"
IMT - 34i - R1 - M1	"	R 1	"	"	"	"	"	"
IMT - 1i - R12 - M1	1" x 7/8"	R 1/2	135.8	42	22	12	50.5	34
IMT - 1i - R34 - M1	"	R 3/4	"	44	"	16	"	"
IMT - 1i - R1 - M1	"	R 1	"	48	"	22	"	"

•PART NO. 외에 사이즈는 영업부에 문의하여 주시기 바랍니다

PART NO. Please inquire about other sizes with the sales department

PFA 사출
Injection VALVE

PTFE 가공
PTFE Processing

PVC 사출
Injection VALVE

SUS VALVE

BELLOWS PUMP

FLOWMETER

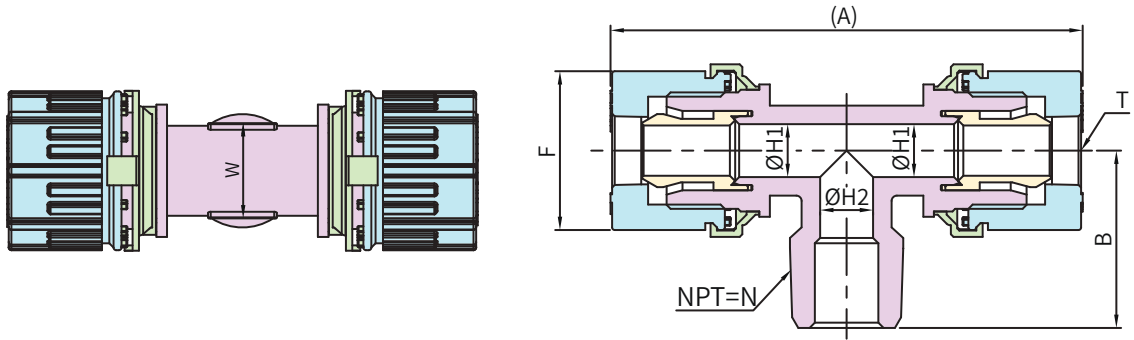
PFA FITTING
(Mega Lock Type)

PFA WELDING FITTING
(Welding Type)

PRODUCTS

MALE TEE

IMT



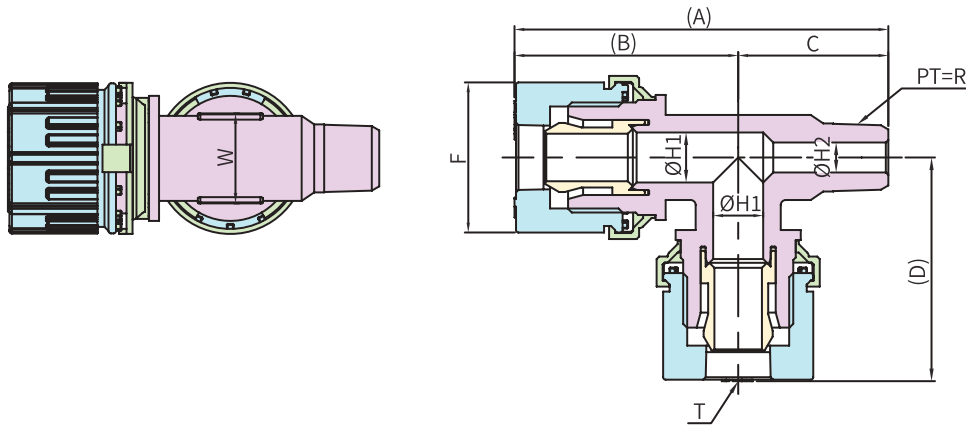
PART No.	Tube Size	Thread Size	(A)	B	ØH1	ØH2	F	W
metric connection (N=NPT) Dimension : mm								
IMT - 6m - N18 - M1	6 x 4	NPT 1/8	60.8	20.5	4	4	17	9.6
IMT - 6m - N14 - M1	"	NPT 1/4	"	25.5	"	"	"	"
IMT - 6m - N38 - M1	"	NPT 3/8	"	25	"	"	"	"
IMT - 8m - N14 - M1	"	NPT 1/4	"	26.5	6	6	20	13
IMT - 8m - N38 - M1	"	NPT 3/8	"	"	"	"	"	"
IMT - 10m - N14 - M1	10 x 8	NPT 1/4	75.8	27.8	8	"	25	14.8
IMT - 10m - N38 - M1	"	NPT 3/8	"	"	"	8	"	"
IMT - 10m - N12 - M1	"	NPT 1/2	"	31.3	"	"	"	"
IMT - 12m - N38 - M1	12 x 10	NPT 3/8	88.9	29.5	10	10	30	18
IMT - 12m - N12 - M1	"	NPT 1/2	"	33	"	"	"	"
IMT - 12m - N34 - M1	"	NPT 3/4	"	35	"	"	"	"
IMT - 19m - N12 - M1	19 x 15.8	NPT 1/2	112.8	37.5	16	12	40	27
IMT - 19m - N34 - M1	"	NPT 3/4	"	39.5	"	16	"	"
IMT - 19m - N1 - M1	"	NPT 1	"	"	"	"	"	"
IMT - 25m - N12 - M1	25 x 22	NPT 1/2	135.8	42	22	12	50.5	34
IMT - 25m - N34 - M1	"	NPT 3/4	"	44	"	16	"	"
IMT - 25m - N1 - M1	"	NPT 1	"	48	"	22	"	"
Inch connection (N=NPT) Dimension : mm								
IMT - 14i - N18 - M1	1/4" x 5/32"	NPT 1/8	60.8	20.5	4	4	17	9.6
IMT - 14i - N14 - M1	"	NPT 1/4	"	25.5	"	"	"	"
IMT - 14i - N38 - M1	"	NPT 3/8	"	25	"	"	"	"
IMT - 38i - N14 - M1	3/8" x 1/4"	NPT 1/4	75.8	27.8	8	6	25	14.8
IMT - 38i - N38 - M1	"	NPT 3/8	"	"	"	8	"	"
IMT - 38i - N12 - M1	"	NPT 1/2	"	31.3	"	"	"	"
IMT - 12i - N38 - M1	1/2" x 3/8"	NPT 3/8	88.9	29.5	10	10	30	18
IMT - 12i - N12 - M1	"	NPT 1/2	"	33	"	"	"	"
IMT - 12i - N34 - M1	"	NPT 3/4	"	35	"	"	"	"
IMT - 34i - N12 - M1	3/4" x 5/8"	NPT 1/2	112.8	37.5	16	12	40	27
IMT - 34i - N34 - M1	"	NPT 3/4	"	39.5	"	16	"	"
IMT - 34i - N1 - M1	"	NPT 1	"	"	"	"	"	"
IMT - 1i - N12 - M1	1" x 7/8"	NPT 1/2	135.8	42	22	12	50.5	34
IMT - 1i - N34 - M1	"	NPT 3/4	"	44	"	16	"	"
IMT - 1i - N1 - M1	"	NPT 1	"	48	"	22	"	"

•PART NO. 외에 사이즈는 영업부에 문의하여 주시기 바랍니다

PART NO. Please inquire about other sizes with the sales department

MALE RUN TEE

IMRT



PART No.	Tube Size	Thread Size	(A)	(B)	C	(D)	ØH1	ØH2	F	W
metric connection (R=PT) Dimension : mm										
IMRT - 6m - 6m - R38 - M1	6 x 4	R 3/8	55.4	30.4	25	30.4	4	4	17	9.6
IMRT - 8m - 8m - R14 - M1	8 x 6	R 1/4	60.2	33.7	26.5	33.7	6	6	20	13
IMRT - 8m - 8m - R38 - M1	"	R 3/8	"	"	"	"	"	"	"	"
IMRT - 10m - 10m - R14 - M1	10 x 8	R 1/4	65.8	37.9	27.9	37.8	8	6	25	14.8
IMRT - 10m - 10m - R38 - M1	"	R 3/8	"	"	"	"	"	8	"	"
IMRT - 12m - 12m - R14 - M1	12 x 10	R 1/4	74.2	44.45	29.75	44.2	10	6	30	18
IMRT - 12m - 12m - R38 - M1	"	R 3/8	"	"	"	"	"	10	"	"
IMRT - 12m - 12m - R12 - M1	"	R 1/2	77.7	"	33.25	"	"	"	"	"
IMRT - 19m - 19m - R14 - M1	19 x 15.8	R 1/4	90.4	56.4	34	56.4	16	6	40	27
IMRT - 19m - 19m - R38 - M1	"	R 3/8	"	"	"	"	"	10	"	"
IMRT - 19m - 19m - R12 - M1	"	R 1/2	93	"	36.6	"	"	12	"	"
IMRT - 19m - 19m - R34 - M1	"	R 3/4	95.9	"	39.5	"	"	16	"	"
IMRT - 25m - 25m - R34 - M1	25 x 22	"	111.9	67.9	44	67.9	22	"	50.5	34
IMRT - 25m - 25m - R1 - M1	"	R 1	115.9	"	48	"	"	22	"	"
Inch connection (R=PT) Dimension : mm										
IMRT - 14i - 14i - R38 - M1	1/4" x 5/32"	R 3/8	55.4	30.4	25	30.4	4	4	17	9.6
IMRT - 38i - 38i - R14 - M1	3/8" x 1/4"	R 1/4	65.8	37.9	27.9	37.8	8	6	25	14.8
IMRT - 38i - 38i - R38 - M1	"	R 3/8	"	"	"	"	"	8	"	"
IMRT - 12i - 12i - R14 - M1	1/2" x 3/8"	R 1/4	74.2	44.45	29.75	44.2	10	6	30	18
IMRT - 12i - 12i - R38 - M1	"	R 3/8	"	"	"	"	"	10	"	"
IMRT - 12i - 12i - R12 - M1	"	R 1/2	77.7	"	33.25	"	"	"	"	"
IMRT - 34i - 34i - R14 - M1	3/4" x 5/8"	R 1/4	90.4	56.4	34	56.4	16	6	40	27
IMRT - 34i - 34i - R38 - M1	"	R 3/8	"	"	"	"	"	10	"	"
IMRT - 34i - 34i - R12 - M1	"	R 1/2	93.9	"	37.5	"	"	12	"	"
IMRT - 34i - 34i - R34 - M1	"	R 3/4	95.9	"	39.5	"	"	16	"	"
IMRT - 1i - 1i - R34 - M1	1" x 7/8"	"	111.9	67.9	44	67.9	22	"	50.5	34
IMRT - 1i - 1i - R1 - M1	"	R 1	115.9	"	48	"	"	22	"	"

•PART NO. 외에 사이즈는 영업부에 문의하여 주시기 바랍니다 PART NO. Please inquire about other sizes with the sales department

PFA 사출
Injection VALVE

PTFE 가공
PTFE Processing

PVC 사출
Injection VALVE

SUS VALVE

BELLOWS PUMP

FLOWMETER

PFA FITTING
(Mega Lock Type)

PFA WELDING FITTING
(Welding Type)

PRODUCTS

02

Tube to Female pipe thread

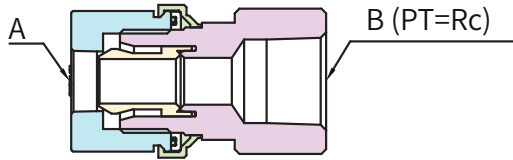
FEMALE CONNECTOR

FEMALE ELBOW

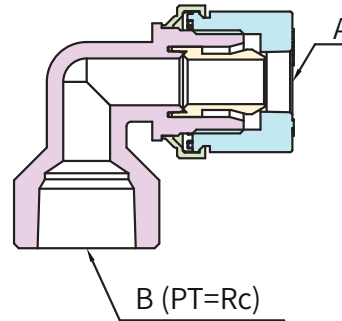
FEMALE TEE

FEMALE

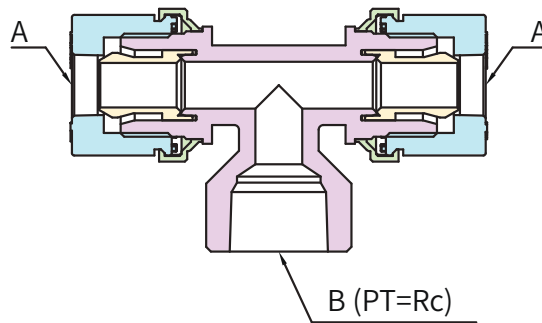
FEMALE CONNECTOR



FEMALE ELBOW



FEMALE TEE



IFC - 12i - R38 - M1

M1 : Mega Lock Type (사출 Injection)

Size : B (R=PT)
(N=NPT)

Tube Size : A (i=inch/m=mm)

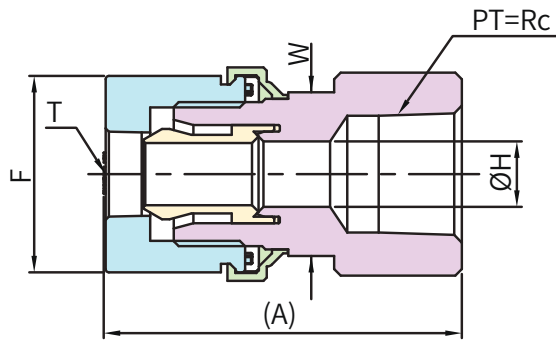
IFC : Innodis Female Connector

IFE : Innodis Female Elbow

IFT : Innodis Female Tee

FEMALE CONNECTOR

IFC



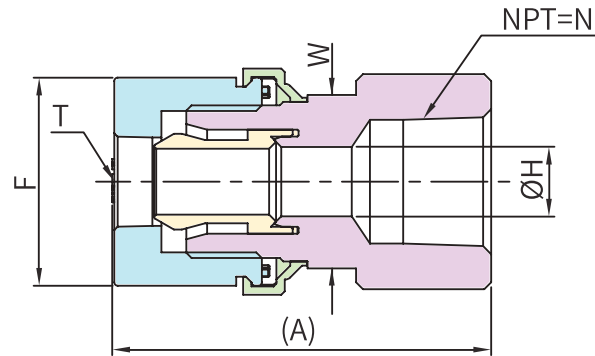
PART No.	Tube Size	Thread Size	(A)	ØH	F	W
metric connection (Rc=PT) Dimension : mm						
IFC - 6m - R18 - M1	6 x 4	Rc 1/8	34.9	4	17	16
IFC - 6m - R14 - M1	"	Rc 1/4	41.9	"	"	"
IFC - 8m - R18 - M1	8 x 6	Rc 1/8	39.2	6	20	18
IFC - 8m - R14 - M1	"	Rc 1/4	43.2	"	"	"
IFC - 8m - R38 - M1	"	Rc 3/8	45.2	"	"	"
IFC - 10m - R18 - M1	10 x 8	Rc 1/8	42	8	25	21
IFC - 10m - R14 - M1	"	Rc 1/4	46	"	"	"
IFC - 10m - R38 - M1	"	Rc 3/8	48	"	"	"
IFC - 12m - R18 - M1	12 x 10	Rc 1/8	46.7	10	30	25
IFC - 12m - R14 - M1	"	Rc 1/4	50.7	"	"	"
IFC - 12m - R38 - M1	"	Rc 3/8	52.7	"	"	"
IFC - 12m - R12 - M1	"	Rc 1/2	54.7	"	"	"
IFC - 19m - R14 - M1	19 x 15.8	Rc 1/4	60.9	16	40	34
IFC - 19m - R38 - M1	"	Rc 3/8	62.9	"	"	"
IFC - 19m - R12 - M1	"	Rc 1/2	64.9	"	"	"
IFC - 19m - R34 - M1	"	Rc 3/4	69.4	"	"	"
IFC - 25m - R34 - M1	25 x 22	"	80.1	22	50.5	43
IFC - 25m - R1 - M1	"	Rc 1	84.1	"	"	"
Inch connection (Rc=PT) Dimension : mm						
IFC - 14i - R18 - M1	1/4" x 5/32"	Rc 1/8	34.9	4	17	16
IFC - 14i - R14 - M1	"	Rc 1/4	41.9	"	"	"
IFC - 38i - R18 - M1	3/8" x 1/4"	Rc 1/8	42	8	25	21
IFC - 38i - R14 - M1	"	Rc 1/4	46	"	"	"
IFC - 38i - R38 - M1	"	Rc 3/8	48	"	"	"
IFC - 12i - R18 - M1	1/2" x 3/8"	Rc 1/8	46.7	10	30	25
IFC - 12i - R14 - M1	"	Rc 1/4	50.7	"	"	"
IFC - 12i - R38 - M1	"	Rc 3/8	52.7	"	"	"
IFC - 12i - R12 - M1	"	Rc 1/2	54.7	"	"	"
IFC - 34i - R14 - M1	3/4" x 5/8"	Rc 1/4	60.9	16	40	34
IFC - 34i - R38 - M1	"	Rc 3/8	62.9	"	"	"
IFC - 34i - R12 - M1	"	Rc 1/2	64.9	"	"	"
IFC - 34i - R34 - M1	"	Rc 3/4	69.4	"	"	"
IFC - 1i - R34 - M1	1" x 7/8"	"	80.1	22	50.5	43
IFC - 1i - R1 - M1	"	Rc 1	84.1	"	"	"

•PART NO. 외에 사이즈는 영업부에 문의하여 주시기 바랍니다

PART NO. Please inquire about other sizes with the sales department

FEMALE CONNECTOR

IFC



PART No.	Tube Size	Thread Size	(A)	ØH	F	W
metric connection (N=NPT) Dimension : mm						
IFC - 6m - N18 - M1	6 x 4	NPT 1/8	34.9	4	17	16
IFC - 6m - N14 - M1	"	NPT 1/4	41.9	"	"	"
IFC - 8m - N18 - M1	8 x 6	NPT 1/8	39.2	6	20	18
IFC - 8m - N14 - M1	"	NPT 1/4	43.2	"	"	"
IFC - 8m - N38 - M1	"	NPT 3/8	45.2	"	"	"
IFC - 10m - N18 - M1	10 x 8	NPT 1/8	42	8	25	21
IFC - 10m - N14 - M1	"	NPT 1/4	46	"	"	"
IFC - 10m - N38 - M1	"	NPT 3/8	48	"	"	"
IFC - 12m - N18 - M1	12 x 10	NPT 1/8	46.7	10	30	25
IFC - 12m - N14 - M1	"	NPT 1/4	50.7	"	"	"
IFC - 12m - N38 - M1	"	NPT 3/8	52.7	"	"	"
IFC - 12m - N12 - M1	"	NPT 1/2	54.7	"	"	"
IFC - 19m - N14 - M1	19 x 15.8	NPT 1/4	60.9	16	40	34
IFC - 19m - N38 - M1	"	NPT 3/8	62.9	"	"	"
IFC - 19m - N12 - M1	"	NPT 1/2	64.9	"	"	"
IFC - 19m - N34 - M1	"	NPT 3/4	69.4	"	"	"
IFC - 25m - N34 - M1	25 x 22	NPT 3/4	80.1	22	50.5	43
IFC - 25m - N1 - M1	"	NPT 1	84.1	"	"	"
Inch connection (N=NPT) Dimension : mm						
IFC - 14i - N18 - M1	1/4" x 5/32"	NPT 1/8	34.9	4	17	16
IFC - 14i - N14 - M1	"	NPT 1/4	41.9	"	"	"
IFC - 38i - N18 - M1	3/8" x 1/4"	NPT 1/8	42	8	25	21
IFC - 38i - N14 - M1	"	NPT 1/4	46	"	"	"
IFC - 38i - N38 - M1	"	NPT 3/8	48	"	"	"
IFC - 12i - N18 - M1	1/2" x 3/8"	NPT 1/8	46.7	10	30	25
IFC - 12i - N14 - M1	"	NPT 1/4	50.7	"	"	"
IFC - 12i - N38 - M1	"	NPT 3/8	52.7	"	"	"
IFC - 12i - N12 - M1	"	NPT 1/2	54.7	"	"	"
IFC - 34i - N14 - M1	3/4" x 5/8"	NPT 1/4	60.9	16	40	34
IFC - 34i - N38 - M1	"	NPT 3/8	62.9	"	"	"
IFC - 34i - N12 - M1	"	NPT 1/2	64.9	"	"	"
IFC - 34i - N34 - M1	"	NPT 3/4	69.4	"	"	"
IFC - 1i - N34 - M1	1" x 7/8"	NPT 3/4	80.1	22	50.5	43
IFC - 1i - N1 - M1	"	NPT 1	84.1	"	"	"

•PART NO. 외에 사이즈는 영업부에 문의하여 주시기 바랍니다 PART NO. Please inquire about other sizes with the sales department

PFA 사출
Injection VALVE

PTFE 가공
PTFE Processing

PVC 사출
Injection VALVE

SUS VALVE

BELLOWS PUMP

FLOWMETER

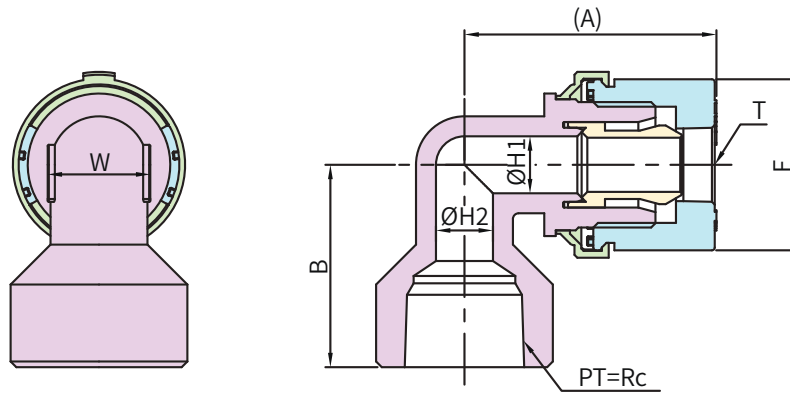
PFA FITTING
(Mega Lock Type)

PFA WELDING FITTING
(Welding Type)

PRODUCTS

FEMALE ELBOW

IFE



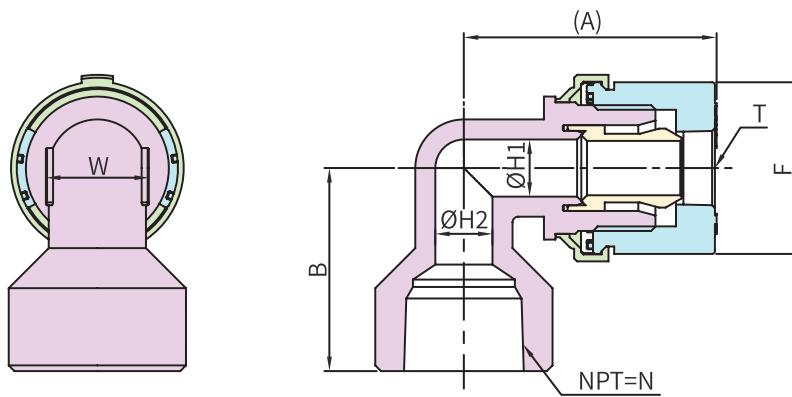
PART No.	Tube Size	Thread Size	(A)	B	ØH1	ØH2	F	W
metric connection (Rc=PT) Dimension : mm								
IFE - 6m - R18 - M1	6 x 4	Rc 1/8	30.4	21.5	4	4	17	9.6
IFE - 6m - R14 - M1	"	Rc 1/4	"	25.5	"	"	"	"
IFE - 8m - R18 - M1	8 x 6	Rc 1/8	33.7	22.5	6	6	20	13
IFE - 8m - R14 - M1	"	Rc 1/4	"	26.5	"	"	"	"
IFE - 8m - R38 - M1	"	Rc 3/8	"	28.5	"	"	"	"
IFE - 10m - R18 - M1	10 x 8	Rc 1/8	37.7	23.7	8	8	25	14.8
IFE - 10m - R14 - M1	"	Rc 1/4	"	27.7	"	"	"	"
IFE - 10m - R38 - M1	"	Rc 3/8	"	29.7	"	"	"	"
IFE - 12m - R18 - M1	12 x 10	Rc 1/8	44.2	25.5	10	8.2	30	18
IFE - 12m - R14 - M1	"	Rc 1/4	"	29.5	"	10	"	"
IFE - 12m - R38 - M1	"	Rc 3/8	"	31.5	"	"	"	"
IFE - 12m - R12 - M1	"	Rc 1/2	"	35.5	"	"	"	"
IFE - 19m - R38 - M1	19 x 15.8	Rc 3/8	56.4	36	16	14.3	40	27
IFE - 19m - R12 - M1	"	Rc 1/2	"	38	"	16	"	"
IFE - 19m - R34 - M1	"	Rc 3/4	"	42.5	"	"	"	"
IFE - 25m - R12 - M1	25 x 22	Rc 1/2	67.7	42.3	22	17.9	50.5	34
IFE - 25m - R34 - M1	"	Rc 3/4	"	46.8	"	22	"	"
IFE - 25m - R1 - M1	"	Rc 1	"	50.8	"	"	"	"
Inch connection (Rc=PT) Dimension : mm								
IFE - 14i - R18 - M1	1/4" x 5/32"	Rc 1/8	30.4	21.5	4	4	17	9.6
IFE - 14i - R14 - M1	"	Rc 1/4	"	25.5	"	"	"	"
IFE - 38i - R18 - M1	3/8" x 1/4"	Rc 1/8	37.7	23.7	8	8	25	14.8
IFE - 38i - R14 - M1	"	Rc 1/4	"	27.7	"	"	"	"
IFE - 38i - R38 - M1	"	Rc 3/8	"	29.7	"	"	"	"
IFE - 12i - R18 - M1	1/2" x 3/8"	Rc 1/8	44.2	25.5	10	8.2	30	18
IFE - 12i - R14 - M1	"	Rc 1/4	"	29.5	"	10	"	"
IFE - 12i - R38 - M1	"	Rc 3/8	"	31.5	"	"	"	"
IFE - 12i - R12 - M1	"	Rc 1/2	"	35.5	"	"	"	"
IFE - 34i - R38 - M1	3/4" x 5/8"	Rc 3/8	56.4	36	16	14.3	40	27
IFE - 34i - R12 - M1	"	Rc 1/2	"	38	"	16	"	"
IFE - 34i - R34 - M1	"	Rc 3/4	"	42.5	"	"	"	"
IFE - 1i - R12 - M1	1" x 7/8"	Rc 1/2	67.7	42.3	22	17.9	50.5	34
IFE - 1i - R34 - M1	"	Rc 3/4	"	46.8	"	22	"	"
IFE - 1i - R1 - M1	"	Rc 1	"	50.8	"	"	"	"

•PART NO. 외에 사이즈는 영업부에 문의하여 주시기 바랍니다

PART NO. Please inquire about other sizes with the sales department

FEMALE ELBOW

IFE



PART No.	Tube Size	Thread Size	(A)	B	ØH1	ØH2	F	W
metric connection (N=NPT) Dimension : mm								
IFE - 6m - N18 - M1	6 x 4	NPT 1/8	30.4	21.5	4	4	17	9.6
IFE - 6m - N14 - M1	"	NPT 1/4	"	25.5	"	"	"	"
IFE - 8m - N18 - M1	8 x 6	NPT 1/8	33.7	22.5	6	6	20	13
IFE - 8m - N14 - M1	"	NPT 1/4	"	26.5	"	"	"	"
IFE - 8m - N38 - M1	"	NPT 3/8	"	28.5	"	"	"	"
IFE - 10m - N18 - M1	10 x 8	NPT 1/8	37.7	23.7	8	8	25	14.8
IFE - 10m - N14 - M1	"	NPT 1/4	"	27.7	"	"	"	"
IFE - 10m - N38 - M1	"	NPT 3/8	"	29.7	"	"	"	"
IFE - 12m - N18 - M1	12 x 10	NPT 1/8	44.2	25.5	10	8.2	30	18
IFE - 12m - N14 - M1	"	NPT 1/4	"	29.5	"	10	"	"
IFE - 12m - N38 - M1	"	NPT 3/8	"	31.5	"	"	"	"
IFE - 12m - N12 - M1	"	NPT 1/2	"	35.5	"	"	"	"
IFE - 19m - N38 - M1	19 x 15.8	NPT 3/8	56.4	36	16	14.3	40	27
IFE - 19m - N12 - M1	"	NPT 1/2	"	38	"	16	"	"
IFE - 19m - N34 - M1	"	NPT 3/4	"	42.5	"	"	"	"
IFE - 25m - N12 - M1	25 x 22	NPT 1/2	67.7	42.3	22	17.9	50.5	34
IFE - 25m - N34 - M1	"	NPT 3/4	"	46.8	"	22	"	"
IFE - 25m - N1 - M1	"	NPT 1	"	50.8	"	"	"	"
Inch connection (N=NPT) Dimension : mm								
IFE - 14i - N18 - M1	1/4" x 5/32"	NPT 1/8	30.4	21.5	4	4	17	9.6
IFE - 14i - N14 - M1	"	NPT 1/4	"	25.5	"	"	"	"
IFE - 38i - N18 - M1	3/8" x 1/4"	NPT 1/8	37.7	23.7	8	8	25	14.8
IFE - 38i - N14 - M1	"	NPT 1/4	"	27.7	"	"	"	"
IFE - 38i - N38 - M1	"	NPT 3/8	"	29.7	"	"	"	"
IFE - 12i - N18 - M1	1/2" x 3/8"	NPT 1/8	44.2	25.5	10	8.2	30	18
IFE - 12i - N14 - M1	"	NPT 1/4	"	29.5	"	10	"	"
IFE - 12i - N38 - M1	"	NPT 3/8	"	31.5	"	"	"	"
IFE - 12i - N12 - M1	"	NPT 1/2	"	35.5	"	"	"	"
IFE - 34i - N38 - M1	3/4" x 5/8"	NPT 3/8	56.4	36	16	14.3	40	27
IFE - 34i - N12 - M1	"	NPT 1/2	"	38	"	16	"	"
IFE - 34i - N34 - M1	"	NPT 3/4	"	42.5	"	"	"	"
IFE - 1i - N12 - M1	1" x 7/8"	NPT 1/2	67.7	42.3	22	17.9	50.5	34
IFE - 1i - N34 - M1	"	NPT 3/4	"	46.8	"	22	"	"
IFE - 1i - N1 - M1	"	NPT 1	"	50.8	"	"	"	"

•PART NO. 외에 사이즈는 영업부에 문의하여 주시기 바랍니다

PART NO. Please inquire about other sizes with the sales department

PFA 사출
Injection VALVE

PTFE 가공
PTFE Processing

PVC 사출
Injection VALVE

SUS VALVE

BELLOWS PUMP

FLOWMETER

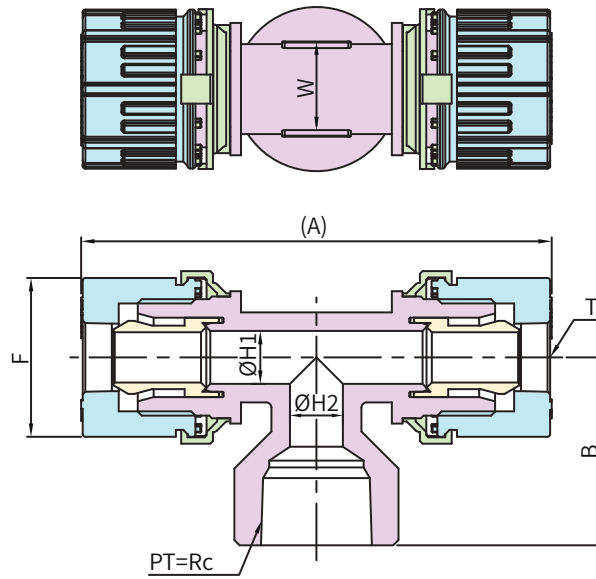
PFA FITTING
(Mega Lock Type)

PFA WELDING FITTING
(Welding Type)

PRODUCTS

FEMALE TEE

IFT

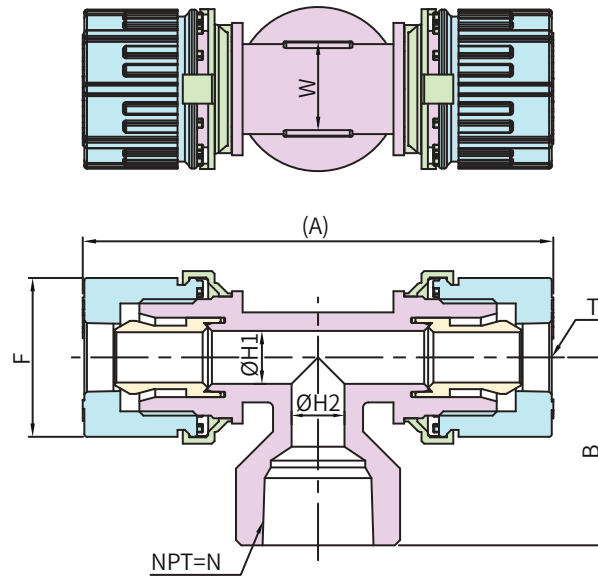


PART No.	Tube Size	Thread Size	(A)	B	ØH1	ØH2	F	W
metric connection (Rc=PT)								Dimension : mm
IFT - 6m - R18 - M1	6 x 4	Rc 1/8	60.8	21.5	4	4	17	9.6
IFT - 6m - R14 - M1	"	Rc 1/4	"	25.5	"	"	"	"
IFT - 8m - R18 - M1	8 x 6	Rc 1/8	67.4	22.5	6	6	20	13
IFT - 8m - R14 - M1	"	Rc 1/4	"	26.5	"	"	"	"
IFT - 8m - R38 - M1	"	Rc 3/8	"	28.5	"	"	"	"
IFT - 10m - R18 - M1	10 x 8	Rc 1/8	75.8	23.8	8	8	25	14.8
IFT - 10m - R14 - M1	"	Rc 1/4	"	27.8	"	"	"	"
IFT - 10m - R38 - M1	"	Rc 3/8	"	29.8	"	"	"	"
IFT - 12m - R14 - M1	12 x 10	Rc 1/4	88.9	29.5	10	10	30	18
IFT - 12m - R38 - M1	"	Rc 3/8	"	31.5	"	"	"	"
IFT - 12m - R12 - M1	"	Rc 1/2	"	35.5	"	"	"	"
IFT - 19m - R38 - M1	19 x 15.8	Rc 3/8	112.8	36	16	14.3	40	27
IFT - 19m - R12 - M1	"	Rc 1/2	"	38	"	16	"	"
IFT - 19m - R34 - M1	"	Rc 3/4	"	42.5	"	"	"	"
IFT - 25m - R12 - M1	25 x 22	Rc 1/2	135.8	"	22	17.9	50.5	34
IFT - 25m - R34 - M1	"	Rc 3/4	"	47	"	22	"	"
IFT - 25m - R1 - M1	"	Rc 1	"	51	"	"	"	"
Inch connection (Rc=PT)								Dimension : mm
IFT - 14i - R18 - M1	1/4" x 5/32"	Rc 1/8	60.8	21.5	4	4	17	9.6
IFT - 14i - R14 - M1	"	Rc 1/4	"	25.5	"	"	"	"
IFT - 38i - R18 - M1	3/8" x 1/4"	Rc 1/8	75.8	23.8	8	8	25	14.8
IFT - 38i - R14 - M1	"	Rc 1/4	"	27.8	"	"	"	"
IFT - 38i - R38 - M1	"	Rc 3/8	"	29.8	"	"	"	"
IFT - 12i - R14 - M1	1/2" x 3/8"	Rc 1/4	88.9	29.5	10	10	30	18
IFT - 12i - R38 - M1	"	Rc 3/8	"	31.5	"	"	"	"
IFT - 12i - R12 - M1	"	Rc 1/2	"	35.5	"	"	"	"
IFT - 34i - R38 - M1	3/4" x 5/8"	Rc 3/8	112.8	36	16	14.3	40	27
IFT - 34i - R12 - M1	"	Rc 1/2	"	38	"	16	"	"
IFT - 34i - R34 - M1	"	Rc 3/4	"	42.5	"	"	"	"
IFT - 1i - R12 - M1	1" x 7/8"	Rc 1/2	135.8	"	22	17.9	50.5	34
IFT - 1i - R34 - M1	"	Rc 3/4	"	47	"	22	"	"
IFT - 1i - R1 - M1	"	Rc 1	"	51	"	"	"	"

•PART NO. 외에 사이즈는 영업부에 문의하여 주시기 바랍니다 PART NO. Please inquire about other sizes with the sales department

FEMALE TEE

IFT



PART No.	Tube Size	Thread Size	(A)	B	ØH1	ØH2	F	W
metric connection (N=NPT) Dimension : mm								
IFT - 6m - N18 - M1	6 x 4	NPT 1/8	60.8	21.5	4	4	17	9.6
IFT - 6m - N14 - M1	"	NPT 1/4	"	25.5	"	"	"	"
IFT - 8m - N18 - M1	8 x 6	NPT 1/8	67.4	22.5	6	6	20	13
IFT - 8m - N14 - M1	"	NPT 1/4	"	26.5	"	"	"	"
IFT - 8m - N38 - M1	"	NPT 3/8	"	28.5	"	"	"	"
IFT - 10m - N18 - M1	10 x 8	NPT 1/8	75.8	23.8	8	8	25	14.8
IFT - 10m - N14 - M1	"	NPT 1/4	"	27.8	"	"	"	"
IFT - 10m - N38 - M1	"	NPT 3/8	"	29.8	"	"	"	"
IFT - 12m - N14 - M1	12 x 10	NPT 1/4	88.9	29.5	10	10	30	18
IFT - 12m - N38 - M1	"	NPT 3/8	"	31.5	"	"	"	"
IFT - 12m - N12 - M1	"	NPT 1/2	"	35.5	"	"	"	"
IFT - 19m - N38 - M1	19 x 15.8	NPT 3/8	112.8	36	16	14.3	40	27
IFT - 19m - N12 - M1	"	NPT 1/2	"	38	"	16	"	"
IFT - 19m - N34 - M1	"	NPT 3/4	"	42.5	"	"	"	"
IFT - 25m - N12 - M1	25 x 22	NPT 1/2	135.8	"	22	17.9	50.5	34
IFT - 25m - N34 - M1	"	NPT 3/4	"	47	"	22	"	"
IFT - 25m - N1 - M1	"	NPT 1	"	51	"	"	"	"
Inch connection (N=NPT) Dimension : mm								
IFT - 14i - N18 - M1	1/4" x 5/32"	NPT 1/8	60.8	21.5	4	4	17	9.6
IFT - 14i - N14 - M1	"	NPT 1/4	"	25.5	"	"	"	"
IFT - 38i - N18 - M1	3/8" x 1/4"	NPT 1/8	75.8	23.8	8	8	25	14.8
IFT - 38i - N14 - M1	"	NPT 1/4	"	27.8	"	"	"	"
IFT - 38i - N38 - M1	"	NPT 3/8	"	29.8	"	"	"	"
IFT - 12i - N14 - M1	1/2" x 3/8"	NPT 1/4	88.9	29.5	10	10	30	18
IFT - 12i - N38 - M1	"	NPT 3/8	"	31.5	"	"	"	"
IFT - 12i - N12 - M1	"	NPT 1/2	"	35.5	"	"	"	"
IFT - 34i - N38 - M1	3/4" x 5/8"	NPT 3/8	112.8	36	16	14.3	40	27
IFT - 34i - N12 - M1	"	NPT 1/2	"	38	"	16	"	"
IFT - 34i - N34 - M1	"	NPT 3/4	"	42.5	"	"	"	"
IFT - 1i - N12 - M1	1" x 7/8"	NPT 1/2	135.8	"	22	17.9	50.5	34
IFT - 1i - N34 - M1	"	NPT 3/4	"	47	"	22	"	"
IFT - 1i - N1 - M1	"	NPT 1	"	51	"	"	"	"

•PART NO. 외에 사이즈는 영업부에 문의하여 주시기 바랍니다 PART NO. Please inquire about other sizes with the sales department

PFA 사출
Injection VALVE

PTFE 기공
PTFE Processing

PVC 사출
Injection VALVE

SUS VALVE

BELLOWS PUMP

FLOW METER

PFA FITTING
(Mega Lock Type)

PFA WELDING FITTING
(Welding Type)

PRODUCTS

03

Tube to Tube

UNION CONNECTOR

UNION ELBOW

UNION TEE

REDUCING UNION CONNECTOR

REDUCING UNION ELBOW

REDUCING UNION TEE

PANEL MOUNT UNION CONNECTOR

PANEL MOUNT REDUCING UNION CONNECTOR

PANEL MOUNT NUT

UNION

UNION CONNECTOR

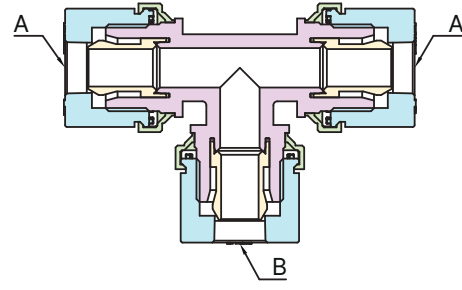
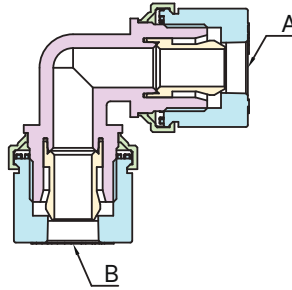
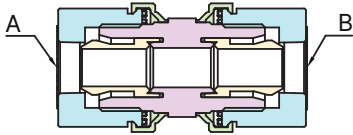
UNION ELBOW

UNION TEE

REDUCING UNION CONNECTOR

REDUCING UNION ELBOW

REDUCING UNION TEE



IUC - 12i - 38i - M1

M1 : Mega Lock Type (사출 射出)

Tube Size : B (i=inch/m =mm)

Tube Size : A (i=inch/m =mm)

IUC : Innodis Union Connector

IUE : Innodis Union Elbow

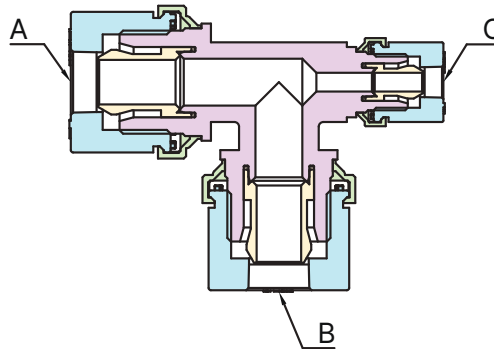
IUT : Innodis Union Tee

IRUC : Innodis Reducing Union Connector

IRUE : Innodis Reducing Union Elbow

IRUT : Innodis Reducing Union Tee

REDUCING UNION TEE



IRUT - 12i - 12i - 38i - M1

M1 : Mega Lock Type (사출 射出)

Tube Size : C (i=inch/m =mm)

Tube Size : B (i=inch/m =mm)

Tube Size : A (i=inch/m =mm)

IRUT : Innodis Reducing Union Tee

PFA 사출
Injection VALVE

PTFE 가공
PTFE Processing

PVC 사출
Injection VALVE

SUS VALVE

BELLOWS PUMP

FLOWMETER

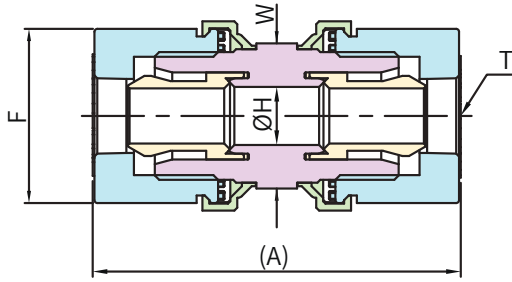
PFA FITTING
(Mega Lock Type)

PFA WELDING FITTING
(Welding Type)

PRODUCTS

UNION CONNECTOR

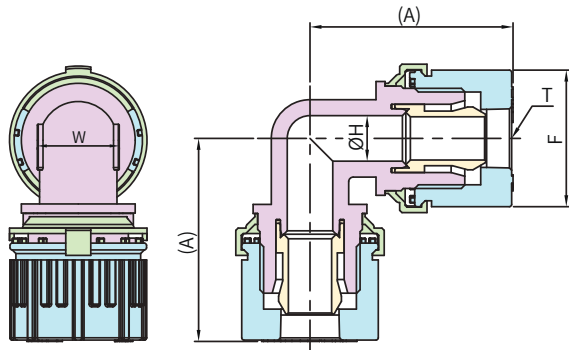
IUC



PART No.	Tube Size	(A)	ØH	F	W
metric connection					
Dimension : mm					
IUC - 3m - 3m - M1	3 x 2	38	3	12.8	12
IUC - 4m - 4m - M1	4 x 3	//	//	//	//
IUC - 6m - 6m - M1	6 x 4	44.6	4	17	16
IUC - 8m - 8m - M1	8 x 6	48.4	6	20	18
IUC - 10m - 10m - M1	10 x 8	54	8	25	21
IUC - 12m - 12m - M1	12 x 10	63.4	10	30	25
IUC - 19m - 19m - M1	19 x 15.8	80.8	16	40	34
IUC - 25m - 25m - M1	25 x 22	98	22	50.5	43
Inch connection					
Dimension : mm					
IUC - 18i - 18i - M1	1/8" x 0.086"	38	3	12.8	12
IUC - 14i - 14i - M1	1/4" x 5/32"	44.6	4	17	16
IUC - 38i - 38i - M1	3/8" x 1/4"	54	8	25	21
IUC - 12i - 12i - M1	1/2" x 3/8"	63.4	10	30	25
IUC - 34i - 34i - M1	3/4" x 5/8"	80.8	16	40	34
IUC - 1i - 1i - M1	1" x 7/8"	98	22	50.5	43

UNION ELBOW

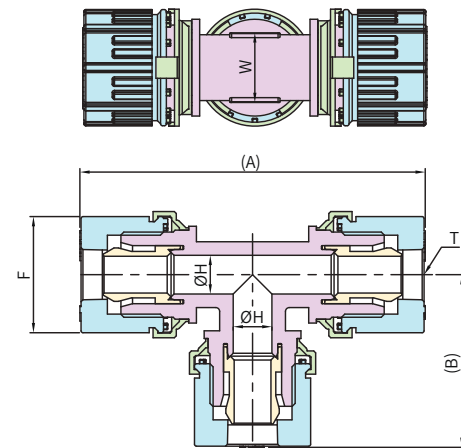
IUE



PART No.	Tube Size	(A)	ØH	F	W
metric connection					
Dimension : mm					
IUE - 3m - 3m - M1	3 x 2	24.1	3	12.8	7
IUE - 4m - 4m - M1	4 x 3	//	//	//	//
IUE - 6m - 6m - M1	6 x 4	30.3	4	17	9.6
IUE - 8m - 8m - M1	8 x 6	33.7	6	20	13
IUE - 10m - 10m - M1	10 x 8	37.7	8	25	14.8
IUE - 12m - 12m - M1	12 x 10	44.2	10	30	18
IUE - 19m - 19m - M1	19 x 15.8	56.4	16	40	27
IUE - 25m - 25m - M1	25 x 22	67.7	22	50.5	34
Inch connection					
Dimension : mm					
IUE - 18i - 18i - M1	1/8" x 0.086"	24.1	3	12.8	7
IUE - 14i - 14i - M1	1/4" x 5/32"	30.3	4	17	9.6
IUE - 38i - 38i - M1	3/8" x 1/4"	37.7	8	25	14.8
IUE - 12i - 12i - M1	1/2" x 3/8"	44.2	10	30	18
IUE - 34i - 34i - M1	3/4" x 5/8"	56.4	16	40	27
IUE - 1i - 1i - M1	1" x 7/8"	67.7	22	50.5	34

UNION TEE

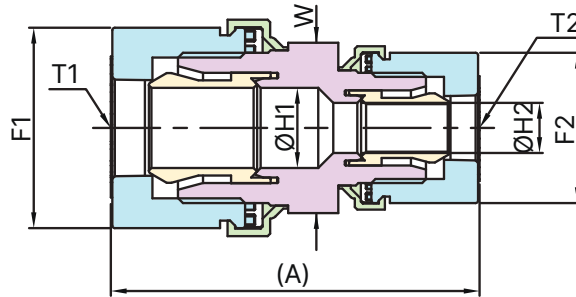
IUT



PART No.	Tube Size	(A)	(B)	ØH	F	W
metric connection						
Dimension : mm						
IUT - 3m - 3m - M1	3 x 2	48.1	24.1	3	12.8	7
IUT - 4m - 4m - M1	4 x 3	//	//	//	//	//
IUT - 6m - 6m - M1	6 x 4	60.6	30.3	4	17	9.6
IUT - 8m - 8m - M1	8 x 6	67.4	33.7	6	20	13
IUT - 10m - 10m - M1	10 x 8	75.8	37.8	8	25	14.8
IUT - 12m - 12m - M1	12 x 10	88.9	44.2	10	30	18
IUT - 19m - 19m - M1	19 x 15.8	112.8	56.4	16	40	27
IUT - 25m - 25m - M1	25 x 22	135.8	67.9	22	50.5	34
Inch connection						
Dimension : mm						
IUT - 18i - 18i - M1	1/8" x 0.086"	48.1	24.1	3	12.8	7
IUT - 14i - 14i - M1	1/4" x 5/32"	60.6	30.3	4	17	9.6
IUT - 38i - 38i - M1	3/8" x 1/4"	75.8	37.8	8	25	14.8
IUT - 12i - 12i - M1	1/2" x 3/8"	88.9	44.2	10	30	18
IUT - 34i - 34i - M1	3/4" x 5/8"	112.8	56.4	16	40	27
IUT - 1i - 1i - M1	1" x 7/8"	135.8	67.9	22	50.5	34

REDUCING UNION CONNECTOR

IRUC



PART No.	Tube Size T1	Tube Size T2	(A)	ØH1	ØH2	F1	F2	W
metric connection Dimension : mm								
IRUC - 6m - 3m - M1	6 x 4	3 x 2	38.75	4	3	17	12.7	16
IRUC - 6m - 4m - M1	"	4 x 3	"	"	"	"	"	"
IRUC - 8m - 6m - M1	8 x 6	6 x 4	46.6	6	4	20	17	18
IRUC - 10m - 6m - M1	10 x 8	"	49.4	8	"	25	"	21
IRUC - 12m - 6m - M1	12 x 10	"	54.1	10	"	30	"	25
IRUC - 12m - 8m - M1	"	8 x 6	55.9	"	6	"	20	"
IRUC - 12m - 10m - M1	"	10 x 8	58.7	"	8	"	25	"
IRUC - 19m - 10m - M1	19 x 15.8	"	68.9	16	"	40	"	34
IRUC - 19m - 12m - M1	"	12 x 10	73.6	"	10	"	30	"
IRUC - 25m - 12m - M1	25 x 22	"	84.3	22	"	50.5	"	43
IRUC - 25m - 19m - M1	"	19 x 15.8	91.5	"	16	"	40	"
Inch connection Dimension : mm								
IRUC - 14i - 18i - M1	1/4" x 5/32"	1/8" x 0.086"	38.75	4	3	17	12.7	16
IRUC - 8m - 14i - M1	8 x 6	1/4" x 5/32"	46.6	6	4	20	17	18
IRUC - 38i - 14i - M1	3/8" x 1/4"	"	49.4	8	"	25	"	21
IRUC - 12i - 14i - M1	1/2" x 3/8"	"	54.1	10	"	30	"	25
IRUC - 12i - 38i - M1	"	3/8" x 1/4"	58.7	"	8	"	25	"
IRUC - 34i - 38i - M1	3/4" x 5/8"	"	68.9	16	"	40	"	34
IRUC - 34i - 12i - M1	"	1/2" x 3/8"	73.6	"	10	"	30	"
IRUC - 1i - 12i - M1	1" x 7/8"	"	84.3	22	"	50.5	"	43
IRUC - 1i - 34i - M1	"	3/4" x 5/8"	91.5	"	16	"	40	"

•PART NO. 외에 사이즈는 영업부에 문의하여 주시기 바랍니다

PART NO. Please inquire about other sizes with the sales department

PFA 사출
Injection VALVE

PTFE 기공
PTFE Processing

PVC 사출
Injection VALVE

SUS VALVE

BELLOWS PUMP

FLOWMETER

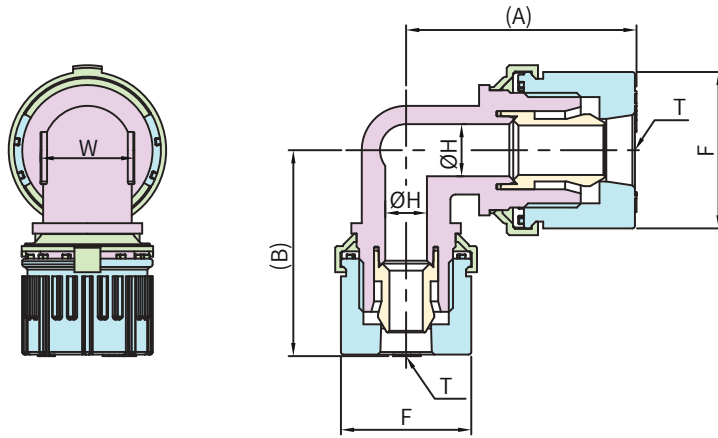
PFA FITTING
(Mega Lock Type)

PFA WELDING FITTING
(Welding Type)

PRODUCTS

REDUCING UNION ELBOW

IRUE



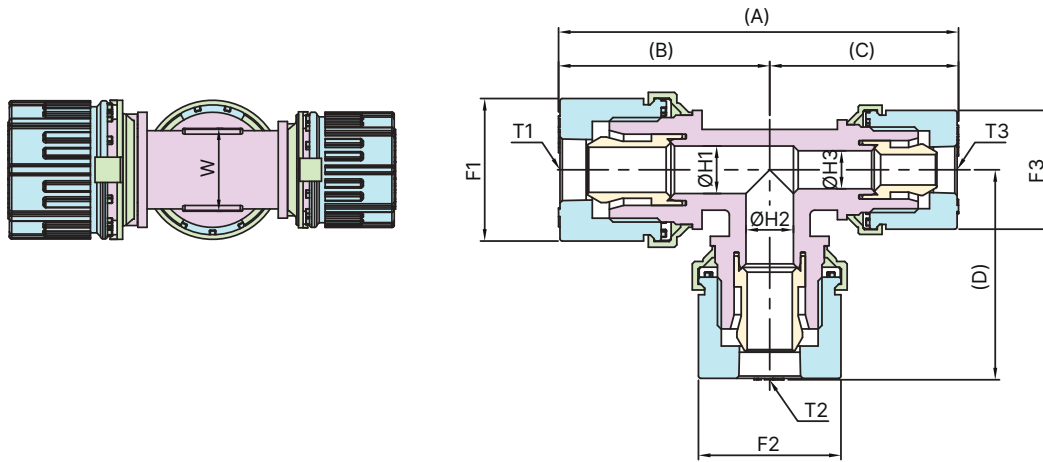
PART No.	Tube Size T1	Tube Size T2	(A)	(B)	ØH1	ØH2	F1	F2	W
metric connection Dimension : mm									
IRUE - 6m - 3m - M1	6 x 4	3 x 2	30.4	22.35	4	3	17	12.7	9.6
IRUE - 6m - 4m - M1	"	4 x 3	"	"	"	"	"	"	"
IRUE - 8m - 6m - M1	8 x 6	6 x 4	33.7	31.9	6	4	20	17	13
IRUE - 10m - 6m - M1	10 x 8	"	37.7	33.1	8	"	25	"	14.8
IRUE - 12m - 6m - M1	12 x 10	"	44.2	34.9	10	"	30	"	18
IRUE - 12m - 10m - M1	"	10 x 8	"	39.5	"	8	"	25	"
IRUE - 19m - 10m - M1	19 x 15.8	"	56.4	44	16	"	40	"	27
IRUE - 19m - 12m - M1	"	12 x 10	"	48.7	"	10	"	30	"
IRUE - 25m - 12m - M1	25 x 22	"	67.7	53	22	"	50.5	"	34
IRUE - 25m - 19m - M1	"	19 x 15.8	"	60.7	"	16	"	40	"
Inch connection Dimension : mm									
IRUE - 14i - 18i - M1	1/4" x 5/32"	1/8" x 0.086"	30.4	22.35	4	3	17	12.7	9.6
IRUE - 8m - 14i - M1	8 x 6	1/4" x 5/32"	33.7	31.9	6	4	20	17	13
IRUE - 38i - 14i - M1	3/8" x 1/4"	"	37.7	33.1	8	"	25	"	14.8
IRUE - 12i - 14i - M1	1/2" x 3/8"	"	44.2	34.9	10	"	30	"	18
IRUE - 12i - 38i - M1	"	3/8" x 1/4"	"	39.5	"	8	"	25	"
IRUE - 34i - 38i - M1	3/4" x 5/8"	"	56.4	44	16	8	40	"	27
IRUE - 34i - 12i - M1	"	1/2" x 3/8"	"	48.7	"	10	"	30	"
IRUE - 1i - 12i - M1	1" x 7/8"	"	67.7	53	22	"	50.5	"	34
IRUE - 1i - 34i - M1	"	3/4" x 5/8"	"	60.7	"	16	"	40	"

•PART NO. 외에 사이즈는 영업부에 문의하여 주시기 바랍니다

PART NO. Please inquire about other sizes with the sales department

REDUCING UNION TEE

IRUT



PART No.	Tube Size T1	Tube Size T2	Tube Size T3	(A)	(B)	(C)	(D)	ØH1	ØH2	ØH3	F1	F2	F3	W
metric connection														
Dimension : mm														
IRUT - 3m - 6m - M1	3 x 2	6 x 4	3 x 2	57.7	28.8	28.8	34.5	3	4	3	12.8	17	12.8	10
IRUT - 4m - 6m - M1	4 x 3	"	4 x 3	"	"	"	"	"	"	"	"	"	"	"
IRUT - 6m - 3m - M1	6 x 4	3 x 2	6 x 4	60.8	30.4	30.4	22.35	4	3	4	17	12.8	17	9.6
IRUT - 6m - 4m - M1	"	4 x 3	"	"	"	"	"	"	"	"	"	"	"	"
IRUT - 6m - 10m - M1	"	10 x 8	"	66.8	33.4	33.4	38	"	8	"	"	25	"	14.8
IRUT - 6m - 12m - M1	"	12 x 10	"	70.8	35.4	35.4	44.7	"	10	"	"	30	"	18
IRUT - 8m - 6m - M1	8 x 6	6 x 4	8 x 6	67.4	33.7	33.7	31.9	6	4	6	20	17	20	13
IRUT - 10m - 6m - M1	10 x 8	"	10 x 8	75.8	37.9	37.9	33.2	8	"	8	25	"	25	14.8
IRUT - 10m - 12m - M1	"	12 x 10	"	79.8	39.9	39.9	44.5	"	10	"	"	30	"	18
IRUT - 12m - 6m - M1	12 x 10	6 x 4	12 x 10	88.9	44.45	44.45	34.9	10	4	10	30	17	30	"
IRUT - 12m - 10m - M1	"	10 x 8	"	"	"	"	39.5	"	8	"	"	25	"	"
IRUT - 12m - 19m - M1	"	19 x 15.8	"	98.4	49.2	49.2	56.9	"	16	"	"	40	"	27
IRUT - 19m - 6m - M1	19 x 15.8	6 x 4	19 x 15.8	112.8	56.4	56.4	39.4	16	4	16	40	17	40	"
IRUT - 19m - 10m - M1	"	10 x 8	"	"	"	"	44	"	8	"	"	25	"	"
IRUT - 19m - 12m - M1	"	12 x 10	"	"	"	"	48.7	"	10	"	"	30	"	"
IRUT - 19m - 25m - M1	"	25 x 22	"	121.8	60.9	60.9	67.9	"	22	"	"	50.5	"	34
IRUT - 25m - 12m - M1	25 x 22	12 x 10	25 x 22	135.8	67.9	67.9	53.2	22	10	22	50.5	30	50.5	"
IRUT - 25m - 19m - M1	"	19 x 15.8	"	"	"	"	60.9	"	16	"	"	40	"	"
IRUT - 10m - 6m - 6m - M1	10 x 8	6 x 4	6 x 4	71.2	37.9	33.3	33.2	8	4	4	25	17	17	14.8
IRUT - 12m - 10m - 10m - M1	12 x 10	10 x 8	10 x 8	84.2	44.45	39.75	39.5	10	8	8	30	25	25	18
IRUT - 12m - 12m - 10m - M1	"	12 x 10	"	"	"	"	44.2	"	10	"	"	30	"	"
IRUT - 19m - 12m - 12m - M1	19 x 15.8	"	12 x 10	105.1	56.4	48.7	48.7	16	"	10	40	"	30	27
IRUT - 19m - 19m - 12m - M1	"	19 x 15.8	"	"	"	"	56.4	"	16	"	"	40	"	"
IRUT - 25m - 25m - 12m - M1	25 x 22	25 x 22	"	121.1	67.9	53.2	67.9	22	22	10	50.5	50.5	30	30
IRUT - 25m - 25m - 19m - M1	"	"	19 x 15.8	128.8	"	60.9	"	"	"	16	"	"	40	34

•PART NO. 외에 사이즈는 영업부에 문의하여 주시기 바랍니다

PART NO. Please inquire about other sizes with the sales department

PFA 사출
Injection VALVE

PTFE 가공
PTFE Processing

PVC 사출
Injection VALVE

SUS VALVE

BELLOWS PUMP

FLOWMETER

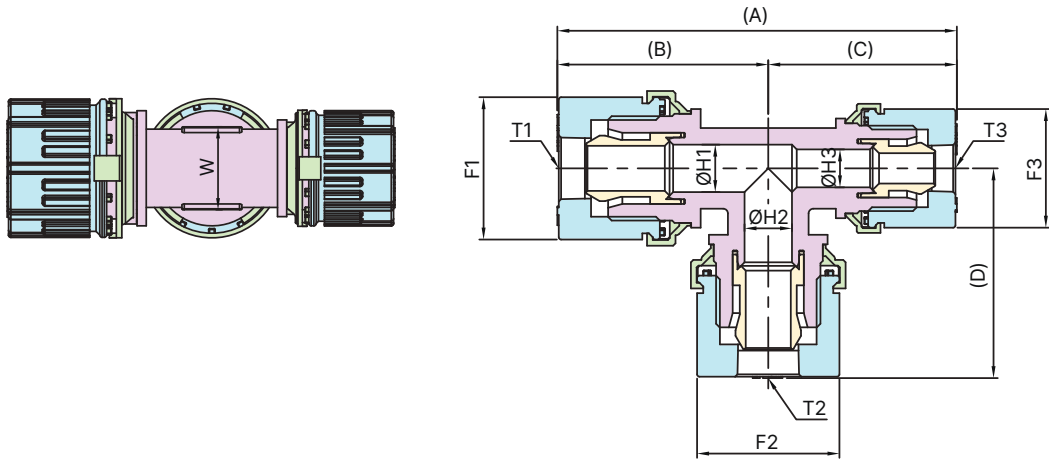
PFA FITTING
(Mega Lock Type)

PFA WELDING FITTING
(Welding Type)

PRODUCTS

REDUCING UNION TEE

IRUT



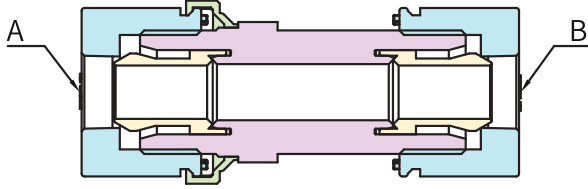
PART No.	Tube Size T1	Tube Size T2	Tube Size T3	(A)	(B)	(C)	(D)	ØH1	ØH2	ØH3	F1	F2	F3	W
Inch connection														
Dimension : mm														
IRUT - 18i - 14i - M1	1/8" x 0.086"	1/4" x 5/32"	1/8" x 0.086"	57.7	28.8	28.8	34.5	3	4	3	12.8	17	12.8	10
IRUT - 14i - 18i - M1	1/4" x 5/32"	1/8" x 0.086"	1/4" x 5/32"	60.8	30.4	30.4	22.35	4	3	4	17	12.7	17	9.6
IRUT - 14i - 38i - M1	"	3/8" x 1/4"	"	66.8	33.4	33.4	38	"	8	"	"	25	"	14.8
IRUT - 14i - 12i - M1	"	1/2" x 3/8"	"	70.8	35.4	35.4	44.7	"	10	"	"	30	"	18
IRUT - 8m - 14i - M1	8 x 6	1/4" x 5/32"	8 x 6	67.4	33.7	33.7	31.9	6	4	6	20	17	20	13
IRUT - 38i - 14i - M1	3/8" x 1/4"	"	3/8" x 1/4"	75.8	37.9	37.9	33.2	8	"	8	25	"	25	14.8
IRUT - 38i - 12i - M1	"	1/2" x 3/8"	"	79.8	39.9	39.9	44.5	"	10	"	"	30	"	18
IRUT - 12i - 14i - M1	1/2" x 3/8"	1/4" x 5/32"	1/2" x 3/8"	88.9	44.45	44.45	34.9	10	4	10	30	17	30	"
IRUT - 12i - 38i - M1	"	3/8" x 1/4"	"	"	"	"	39.5	"	8	"	"	25	"	"
IRUT - 12i - 34i - M1	"	3/4" x 5/8"	"	98.4	49.2	49.2	56.9	"	16	"	"	40	"	27
IRUT - 34i - 14i - M1	3/4" x 5/8"	1/4" x 5/32"	3/4" x 5/8"	112.8	56.4	56.4	39.4	16	4	16	40	17	40	"
IRUT - 34i - 38i - M1	"	3/8" x 1/4"	"	"	"	"	44	"	8	"	"	25	"	"
IRUT - 34i - 12i - M1	"	1/2" x 3/8"	"	"	"	"	48.7	"	10	"	"	30	"	"
IRUT - 34i - 1i - M1	"	1" x 7/8"	"	121.8	60.9	60.9	67.9	"	22	"	"	50.5	"	34
IRUT - 1i - 12i - M1	1" x 7/8"	1/2" x 3/8"	1" x 7/8"	135.8	67.9	67.9	53.2	22	10	22	50.5	30	50.5	"
IRUT - 1i - 34i - M1	"	3/4" x 5/8"	"	"	"	"	60.9	"	16	"	"	40	"	"
IRUT - 38i - 14i - 14i - M1	3/8" x 1/4"	1/4" x 5/32"	1/4" x 5/32"	71.2	37.9	33.3	33.2	8	4	4	25	17	17	14.8
IRUT - 12i - 38i - 38i - M1	1/2" x 3/8"	3/8" x 1/4"	3/8" x 1/4"	84.2	44.45	39.75	39.5	10	8	8	30	25	25	18
IRUT - 12i - 12i - 38i - M1	"	1/2" x 3/8"	"	"	"	"	44.2	"	10	"	"	30	"	"
IRUT - 34i - 12i - 12i - M1	3/4" x 5/8"	"	1/2" x 3/8"	105.1	56.4	48.7	48.7	16	10	10	40	30	30	27
IRUT - 34i - 34i - 12i - M1	"	3/4" x 5/8"	"	"	"	"	56.4	"	16	"	"	40	"	"
IRUT - 1i - 1i - 12i - M1	1" x 7/8"	1" x 7/8"	1/2" x 3/8"	121.1	67.9	53.2	67.9	22	10	10	50.5	50.5	30	30
IRUT - 1i - 1i - 34i - M1	"	"	3/4" x 5/8"	128.8	"	60.9	"	"	"	16	"	"	40	34

•PART NO. 외에 사이즈는 영업부에 문의하여 주시기 바랍니다

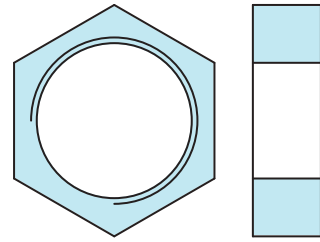
PART NO. Please inquire about other sizes with the sales department

PANEL MOUNT

PANEL MOUNT UNION CONNECTOR
 PANEL MOUNT REDUCING UNION CONNECTOR



PANEL MOUNT NUT



IPMUC - 12i - 12i - M1

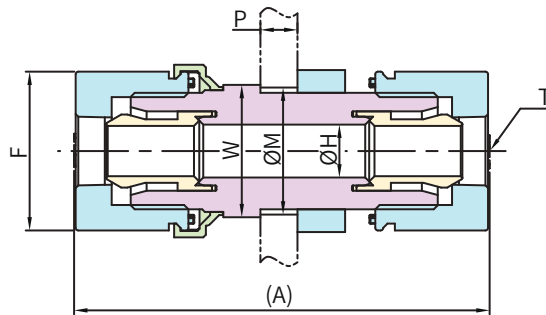
- M1 : Mega Lock Type (사출Injection)
- Tube Size : B (i=inch/m=mm)
- Tube Size : A (i=inch/m=mm)
- IPMUC : Innodis Panel Mount Union Connector
- IPMRUC : Innodis Panel Mount Reducing Union Connector

IPM - N12i - MP

- MP : PP (가공Processing)
- N : Nut
- Tube Size : i=inch/m=mm
- IPM : Panel Mount

PANEL MOUNT UNION CONNECTOR

IPMUC



PART No.	Tube Size	(A)	ØH	F	MAX P	ØM	W	
metric connection								Dimension : mm
IPMUC - 6m - 6m - M1	6 x 4	56	4	17	7	12.5	16	
IPMUC - 8m - 8m - M1	8 x 6	62.7	6	20	''	15.5	18	
IPMUC - 10m - 10m - M1	10 x 8	67.7	8	25	''	18.5	21	
IPMUC - 12m - 12m - M1	12 x 10	78.5	10	30	''	22.5	25	
IPMUC - 19m - 19m - M1	19 x 15.8	96.5	16	40	''	30.5	34	
IPMUC - 25m - 25m - M1	25 x 22	120	22	50.5	10	40.5	43	
Inch connection								Dimension : mm
IPMUC - 14i - 14i - M1	1/4" x 5/32"	56	4	17	7	12.5	16	
IPMUC - 38i - 38i - M1	3/8" x 1/4"	67.7	8	25	''	18.5	21	
IPMUC - 12i - 12i - M1	1/2" x 3/8"	78.5	10	30	''	22.5	25	
IPMUC - 34i - 34i - M1	3/4" x 5/8"	96.5	16	40	''	30.5	34	
IPMUC - 1i - 1i - M1	1" x 7/8"	120	22	50.5	10	40.5	43	

PFA 사출
Injection VALVE

PTFE 가공
PTFE Processing

PVC 사출
Injection VALVE

SUS VALVE

BELLOWS PUMP

FLOWMETER

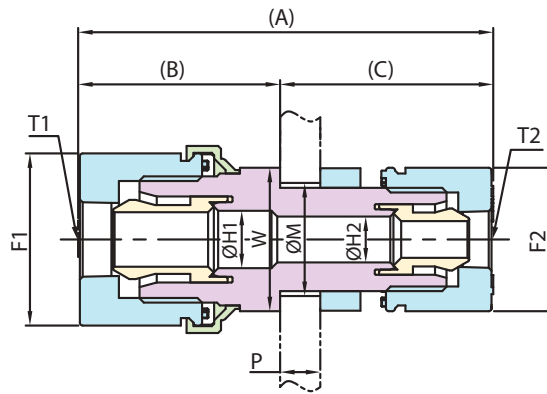
PFA FITTING
(Mega Lock Type)

PFA WELDING FITTING
(Welding Type)

PRODUCTS

PANEL MOUNT REDUCING UNION CONNECTOR

IPMRUC



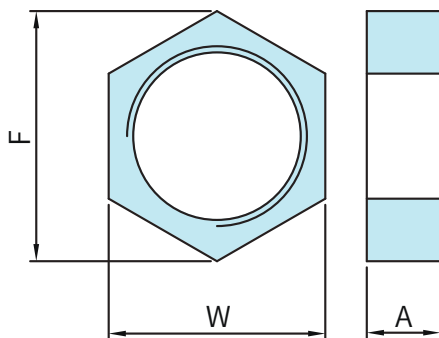
PART No.	Tube Size T1	Tube Size T2	(A)	(B)	(C)	ØH1	ØH2	F1	F2	MAX P	ØM	W
metric connection												Dimension : mm
IPMRUC - 6m - 3m - M1	6 x 4	3 x 2	51.75	25.85	31.1	4	3	17	12.7	7	10.5	16
IPMRUC - 6m - 4m - M1	"	4 x 3	"	"	"	"	"	"	"	"	"	"
IPMRUC - 8m - 6m - M1	8 x 6	6 x 4	57.8	27.7	30.1	6	4	20	17	"	12.5	18
IPMRUC - 10m - 6m - M1	10 x 8	"	60.6	30.5	"	8	"	25	"	"	"	21
IPMRUC - 12m - 10m - M1	12 x 10	10 x 8	72.3	35.2	37.1	10	8	30	25	"	18.5	25
IPMRUC - 19m - 12m - M1	19 x 15.8	12 x 10	88.7	45.4	43.3	16	10	40	30	"	22.5	34
IPMRUC - 25m - 19m - M1	25 x 22	19 x 15.8	107.2	56.1	51.1	22	16	50.5	40	"	30.5	43
Inch connection												Dimension : mm
IPMRUC - 14i - 18i - M1	1/4" x 5/32"	1/8" x 0.086"	51.75	25.85	31.1	4	3	17	12.7	7	10.5	16
IPMRUC - 8m - 14i - M1	8 x 6	1/4" x 5/32"	57.8	27.7	30.1	6	4	20	17	"	"	"
IPMRUC - 38i - 14i - M1	3/8" x 1/4"	"	60.6	30.5	"	8	"	25	"	"	12.5	18
IPMRUC - 12i - 38i - M1	1/2" x 3/8"	3/8" x 1/4"	72.3	35.2	37.1	10	8	30	25	"	"	21
IPMRUC - 34i - 12i - M1	3/4" x 5/8"	1/2" x 3/8"	88.7	45.4	43.3	16	10	40	30	"	18.5	25
IPMRUC - 1i - 34i - M1	1" x 7/8"	3/4" x 5/8"	107.2	56.1	51.1	22	16	50.5	40	"	22.5	34

•PART NO. 외에 사이즈는 영업부에 문의하여 주시기 바랍니다

PART NO. Please inquire about other sizes with the sales department

PANEL MOUNT NUT

IPM



PART No.	Tube Size	A	W	F	
metric connection					Dimension : mm
IPM - N6m - MP	6 x 4	5	16	18.5	
IPM - N8m - MP	8 x 6	7	19	22	
IPM - N10m - MP	10 x 8	"	21.5	24.8	
IPM - N12m - MP	12 x 10	9	26.5	30.6	
IPM - N19m - MP	19 x 15.8	"	38	43.9	
IPM - N25m - MP	25 x 22	10	45	52	
Inch connection					Dimension : mm
IPM - N14i - MP	1/4" x 5/32"	5	16	18.5	
IPM - N38i - MP	3/8" x 1/4"	7	21.5	24.8	
IPM - N12i - MP	1/2" x 3/8"	9	26.5	30.6	
IPM - N34i - MP	3/4" x 5/8"	"	38	43.9	
IPM - N1i - MP	1" x 7/8"	10	45	52	

04

SPACE SAVER

UNION CONNECTOR ADAPTOR

UNION ELBOW ADAPTOR

UNION TEE ADAPTOR

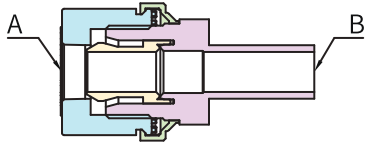
ELBOW ADAPTOR

TEE ADAPTOR

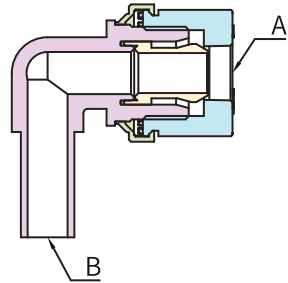
MALE CONNECTOR THROUGH
(FERRULE TYPE)

UNION ADAPTOR

UNION CONNECTOR ADAPTOR (TUBE END)



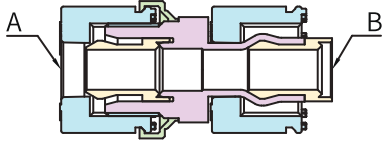
UNION ELBOW ADAPTOR (TUBE END)



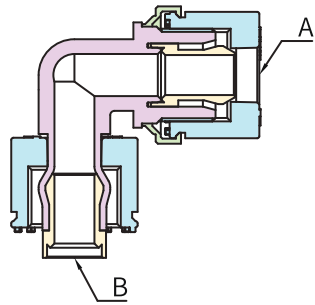
IUCA - 12i - 12T - M1

- M1 : Mega Lock Type (사출 Injection)
- Size : B (T=Tube End)
- Tube Size : A (i=inch/m=mm)
- IUCA : Innodis Union Connector Adaptor
- IUEA : Innodis Union Elbow Adaptor

UNION CONNECTOR ADAPTOR (SLEEVE & NUT SET)



UNION ELBOW ADAPTOR (SLEEVE & NUT SET)

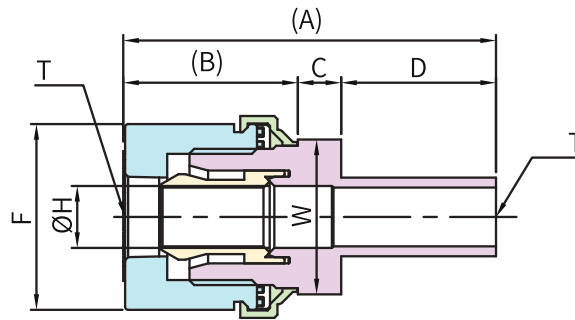


IUCA - 12i - 12A - M1

- M1 : Mega Lock Type (사출 Injection)
- Size : B (A=Sleeve & Nut Set)
- Tube Size : A (i=inch/m=mm)
- IUCA : Innodis Union Connector Adaptor
- IUEA : Innodis Union Elbow Adaptor

UNION CONNECTOR ADAPTOR

IUCA

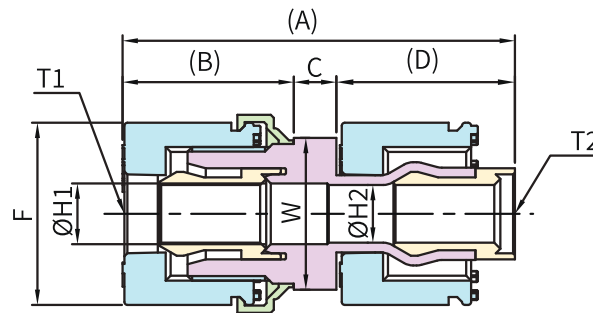


▲ TUBE END TYPE

PART No.	Tube Size	(A)	(B)	C	D	ØH	F	W
metric connection								
Dimension : mm								
IUCA - 6m - 6T - M1	6 x 4	43.4	18.9	7	17.5	4	17	16
IUCA - 8m - 8T - M1	8 x 6	45.7	20.7	//	18	6	20	18
IUCA - 10m - 10T - M1	10 x 8	51.5	23.5	//	21	8	25	21
IUCA - 12m - 12mT - M1	12 x 10	60.2	28.2	//	25	10	30	25
IUCA - 19m - 19T - M1	19 x 15.8	76.4	35.4	10	31	16	40	34
IUCA - 25m - 25T - M1	25 x 22	95.1	41.9	14.2	39	22	50.5	43
Inch connection								
Dimension : mm								
IUCA - 14i - 14T - M1	1/4" x 5/32"	43.4	18.9	7	17.5	4	17	16
IUCA - 38i - 38T - M1	3/8" x 1/4"	51.5	23.5	//	21	8	25	21
IUCA - 12i - 12T - M1	1/2" x 3/8"	60.2	28.2	//	25	10	30	25
IUCA - 34i - 34T - M1	3/4" x 5/8"	76.4	35.4	10	31	16	40	34
IUCA - 1i - 1T - M1	1" x 7/8"	95.1	41.9	14.2	39	22	50.5	43

•PART NO. 외에 사이즈는 영업부에 문의하여 주시기 바랍니다

PART NO. Please inquire about other sizes with the sales department



▲ SLEEVE & NUT SET

PART No.	Tube Size T1	Connectable Body Size T2	(A)	(B)	C	(D)	ØH1	ØH2	F	W
metric connection										
Dimension : mm										
IUCA - 6m - 6A - M1	6 x 4	6	45.3	18.9	7	19.4	4	4	17	16
IUCA - 8m - 8A - M1	8 x 6	8	49.3	20.7	//	21.6	6	6	20	18
IUCA - 10m - 10A - M1	10 x 8	10	54.9	23.5	//	24.4	8	8	25	21
IUCA - 12m - 12mA - M1	12 x 10	12	64.6	28.2	//	29.4	10	10	30	25
IUCA - 19m - 19A - M1	19 x 15.8	19	81.6	35.4	10	36.2	16	15.8	40	34
IUCA - 25m - 25A - M1	25 x 22	25	102.1	41.9	14.2	46	22	22	50.5	43
Inch connection										
Dimension : mm										
IUCA - 14i - 14A - M1	1/4" x 5/32"	1/4"	45.3	18.9	7	19.4	4	3.95	17	16
IUCA - 38i - 38A - M1	3/8" x 1/4"	3/8"	54.9	23.5	//	24.4	8	6.33	25	21
IUCA - 12i - 12A - M1	1/2" x 3/8"	1/2"	64.6	28.2	//	29.4	10	9.5	30	25
IUCA - 34i - 34A - M1	3/4" x 5/8"	3/4"	81.6	35.4	10	36.2	16	15.8	40	34
IUCA - 1i - 1A - M1	1" x 7/8"	1"	102.1	41.9	14.2	46	22	22.2	50.5	43

•PART NO. 외에 사이즈는 영업부에 문의하여 주시기 바랍니다

PART NO. Please inquire about other sizes with the sales department

PFA 사출
Injection VALVE

PTFE 가공
PTFE Processing

PVC 사출
Injection VALVE

SUS VALVE

BELLOWS PUMP

FLOWMETER

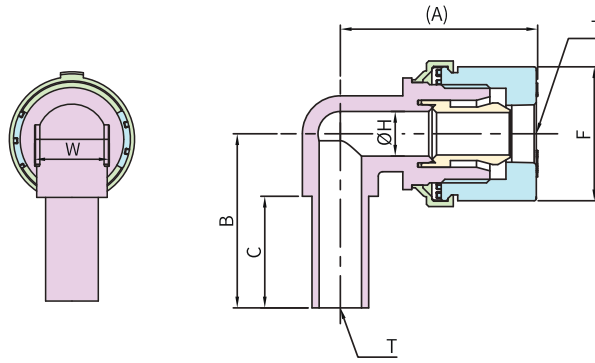
PFA FITTING
(Mega Lock Type)

PFA WELDING FITTING
(Welding Type)

PRODUCTS

UNION ELBOW ADAPTOR

IUEA

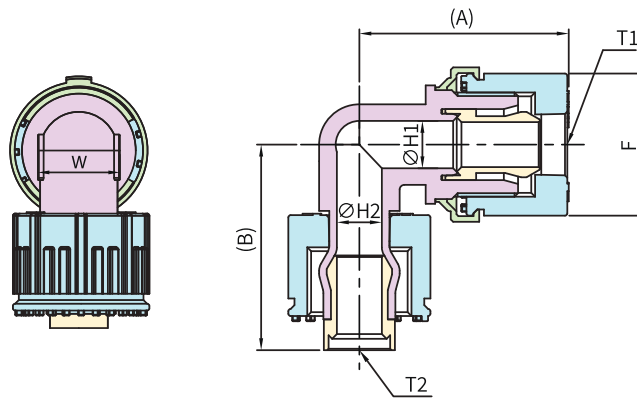


▲ TUBE END TYPE

PART No.	Tube Size	(A)	B	C	ØH	F	W	
metric connection								Dimension : mm
IUEA - 6m - 6T - M1	6 x 4	30.4	27	17.5	4	17	9.6	
IUEA - 8m - 8T - M1	8 x 6	33.7	29	18	6	20	13	
IUEA - 10m - 10T - M1	10 x 8	37.7	33.2	21	8	25	14.8	
IUEA - 12m - 12mT - M1	12 x 10	44.2	39	25	10	30	18	
IUEA - 19m - 19T - M1	19 x 15.8	56.4	49.5	31	16	40	27	
IUEA - 25m - 25T - M1	25 x 22	67.7	61.8	39	22	50.5	34	
Inch connection								Dimension : mm
IUEA - 14i - 14T - M1	1/4" x 5/32"	30.4	27	17.5	4	17	9.6	
IUEA - 38i - 38T - M1	3/8" x 1/4"	37.7	33.2	21	8	25	14.8	
IUEA - 12i - 12T - M1	1/2" x 3/8"	44.2	39	25	10	30	18	
IUEA - 34i - 34T - M1	3/4" x 5/8"	56.4	49.5	31	16	40	27	
IUEA - 1i - 1T - M1	1" x 7/8"	67.7	61.8	39	22	50.5	34	

•PART NO. 외에 사이즈는 영업부에 문의하여 주시기 바랍니다

PART NO. Please inquire about other sizes with the sales department



SLEEVE & NUT SET

PART No.	Tube Size T1	Connectable Body Size T2	(A)	(B)	ØH1	ØH2	F	W
metric connection								Dimension : mm
IUEA - 6m - 6A - M1	6 x 4	6	30.4	28.9	4	4	17	9.6
IUEA - 8m - 8A - M1	8 x 6	8	33.7	32.6	6	6	20	13
IUEA - 10m - 10A - M1	10 x 8	10	37.7	36.6	8	8	25	14.8
IUEA - 12m - 12mA - M1	12 x 10	12	44.2	43.4	10	10	30	18
IUEA - 19m - 19A - M1	19 x 15.8	19	56.4	54.7	16	15.8	40	27
IUEA - 25m - 25A - M1	25 x 22	25	67.7	68.8	22	22	50.5	34
Inch connection								Dimension : mm
IUEA - 14i - 14A - M1	1/4" x 5/32"	1/4"	30.4	28.9	4	3.95	17	9.6
IUEA - 38i - 38A - M1	3/8" x 1/4"	3/8"	37.7	36.6	8	6.33	25	14.8
IUEA - 12i - 12A - M1	1/2" x 3/8"	1/2"	44.2	43.4	10	9.5	30	18
IUEA - 34i - 34A - M1	3/4" x 5/8"	3/4"	56.4	54.7	16	15.8	40	27
IUEA - 1i - 1A - M1	1" x 7/8"	1"	67.7	68.8	22	22.2	50.5	34

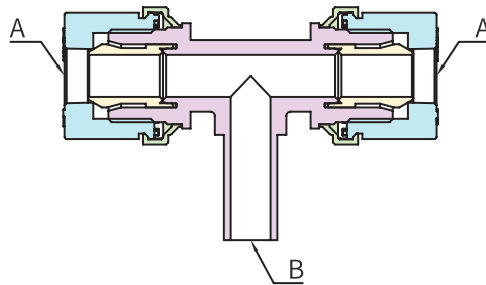
•PART NO. 외에 사이즈는 영업부에 문의하여 주시기 바랍니다

PART NO. Please inquire about other sizes with the sales department

UNION TEE ADAPTOR

TYPE a

UNION TEE ADAPTOR (TUBE END)

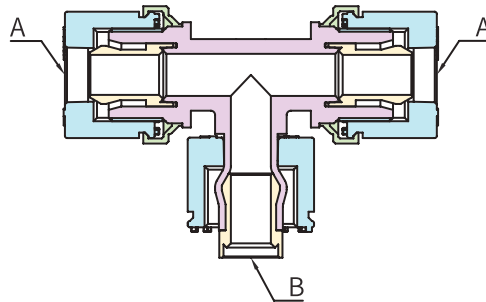


* Type : a

IUTA - 12i - 12T - M1a

- M1 : Mega Lock Type (사출 Injection)
- a : Type
- Size : B (T=Tube End)
- Tube Size : A (i=inch/m=mm)
- IUTA : Innodis Union Tee Adaptor

UNION TEE ADAPTOR (SLEEVE & NUT SET)



* Type : a

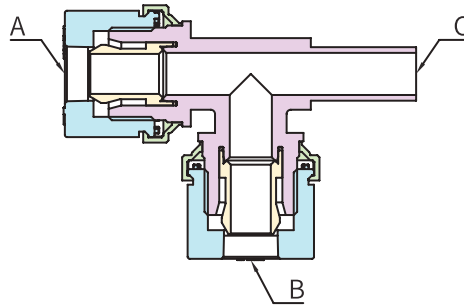
IUTA - 12i - 12A - M1a

- M1 : Mega Lock Type (사출 Injection)
- a : Type
- Size : B (A=Sleeve & Nut Set)
- Tube Size : A (i=inch/m=mm)
- IUTA : Innodis Union Tee Adaptor

UNION TEE ADAPTOR

TYPE b

UNION TEE ADAPTOR (TUBE END)

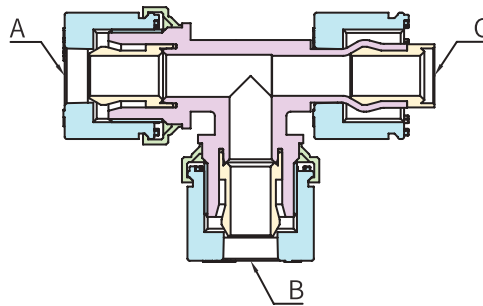


* Type : b

IUTA - 12i - 12i - 12T - M1b

- M1 : Mega Lock Type (사출Injection)
- b : Type
- Size : C (T=Tube End)
- Tube Size : B (i=inch/m=mm)
- Tube Size : A (i=inch/m=mm)
- IUTA : Innodis Union Tee Adaptor

UNION TEE ADAPTOR (SLEEVE & NUT SET)



* Type : b

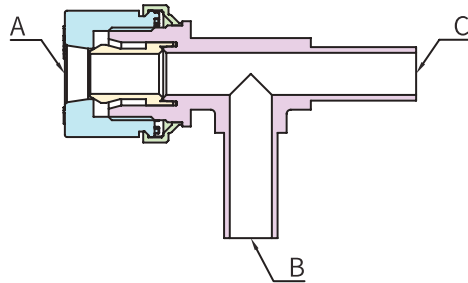
IUTA - 12i - 12i - 12A - M1b

- M1 : Mega Lock Type (사출Injection)
- b : Type
- Size : C (A=Sleeve & Nut Set)
- Tube Size : B (i=inch/m=mm)
- Tube Size : A (i=inch/m=mm)
- IUTA : Innodis Union Tee Adaptor

UNION TEE ADAPTOR

TYPE c

UNION TEE ADAPTOR (TUBE END)

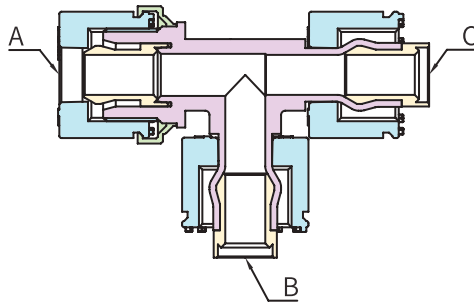


* Type : c

IUTA - 12i - 12T - 12T - M1c

- M1 : Mega Lock Type (사출Injection)
- c : Type
- Size : C (T=Tube End)
- Size : B (T=Tube End)
- Tube Size : A (i=inch/m=mm)
- IUTA : Innodis Union Tee Adaptor

UNION TEE ADAPTOR (SLEEVE & NUT SET)



* Type : c

IUTA - 12i - 12A - 12A - M1c

- M1 : Mega Lock Type (사출Injection)
- c : Type
- Size : C (A=Sleeve & Nut Set)
- Size : B (A=Sleeve & Nut Set)
- Tube Size : A (i=inch/m=mm)
- IUTA : Innodis Union Tee Adaptor

PFA 사출 Injection VALVE

PTFE 가공 PTFE Processing

PVC 사출 Injection VALVE

SUS VALVE

BELLOWS PUMP

FLOWMETER

PFA FITTING (Mega Lock Type)

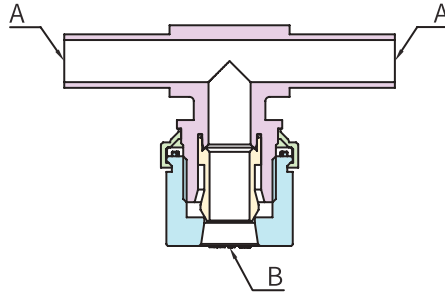
PFA WELDING FITTING (Welding Type)

PRODUCTS

UNION TEE ADAPTOR

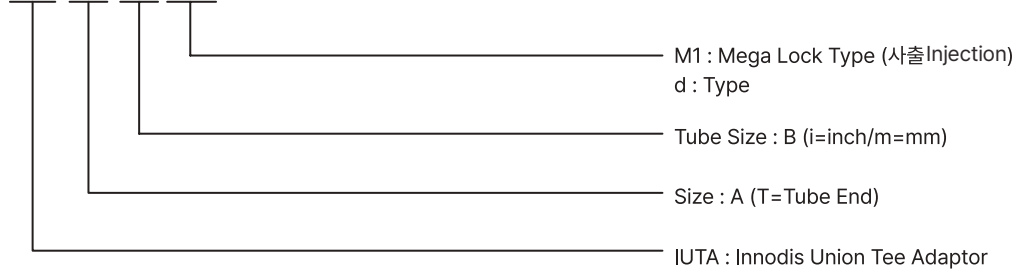
TYPE d

UNION TEE ADAPTOR (TUBE END)

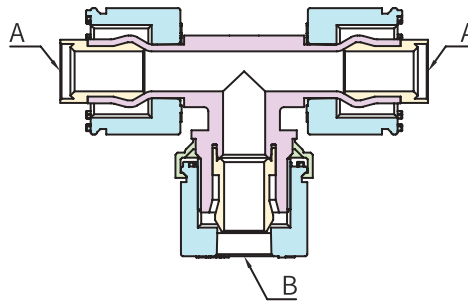


* Type : d

IUTA - 12T - 12i - M1d

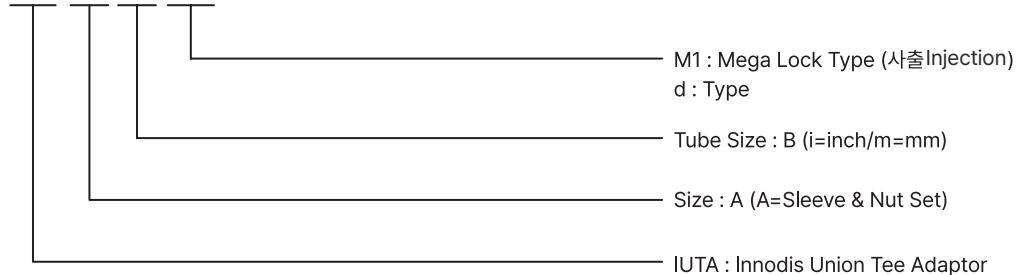


UNION TEE ADAPTOR (SLEEVE & NUT SET)



* Type : d

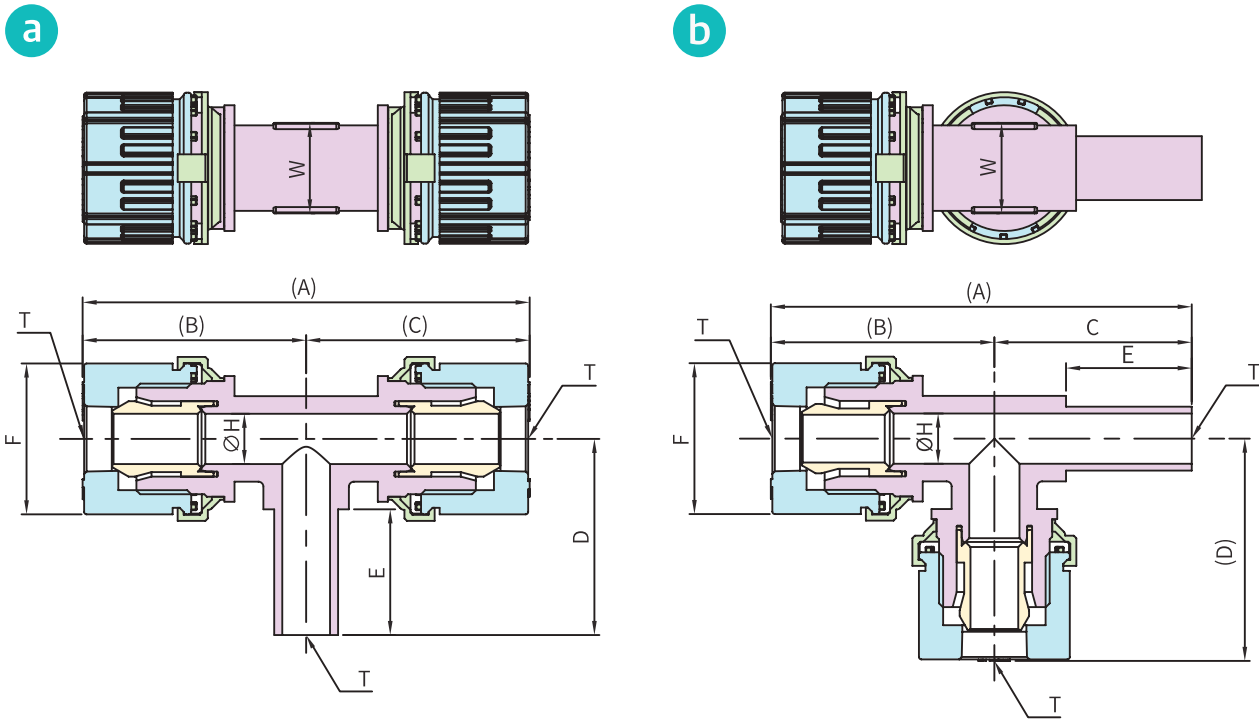
IUTA - 12A - 12i - M1d



UNION TEE ADAPTOR

▼ TUBE END TYPE

IUTA



METRIC TUBE TYPE

PART No.	Tube Size	A(A)	B(B)	C(C)	D(D)	E	ØH	F	W	
metric connection										
Dimension : mm										
IUTA - 6T - 6m - M1	d	6 x 4	54	27	27	30.4	17.5	4	17	9.6
IUTA - 6m - 6T - 6T - M1	c	"	57.4	30.4	"	27	"	"	"	"
IUTA - 6m - 6T - M1	a	"	60.8	"	30.4	"	"	"	"	"
IUTA - 6m - 6m - 6T - M1	b	"	57.4	"	27	30.4	"	"	"	"
IUTA - 8T - 8m - M1	d	8 x 6	58	29	29	33.7	18	6	20	13
IUTA - 8m - 8T - 8T - M1	c	"	62.7	33.7	"	29	"	"	"	"
IUTA - 8m - 8T - M1	a	"	67.4	"	33.7	"	"	"	"	"
IUTA - 8m - 8m - 8T - M1	b	"	62.7	"	29	33.7	"	"	"	"
IUTA - 10T - 10m - M1	d	10 x 8	66.8	33.4	33.4	37.8	21	8	25	14.8
IUTA - 10m - 10T - 10T - M1	c	"	71.3	37.9	"	33.3	"	"	"	"
IUTA - 10m - 10T - M1	a	"	75.8	"	37.9	"	"	"	"	"
IUTA - 10m - 10m - 10T - M1	b	"	71.3	"	33.4	37.8	"	"	"	"
IUTA - 12mT - 12m - M1	d	12 x 10	78.5	39.25	39.25	44.2	25	10	30	18
IUTA - 12m - 12mT - 12mT - M1	c	"	83.7	44.45	"	39	"	"	"	"
IUTA - 12m - 12mT - M1	a	"	88.9	"	44.45	"	"	"	"	"
IUTA - 12m - 12m - 12mT - M1	b	"	83.7	"	39.25	44.2	"	"	"	"
IUTA - 19T - 19m - M1	d	19 x 15.8	99	49.5	49.5	56.4	31	16	40	27
IUTA - 19m - 19T - 19T - M1	c	"	105.9	56.4	"	49.5	"	"	"	"
IUTA - 19m - 19T - M1	a	"	112.8	"	56.4	"	"	"	"	"
IUTA - 19m - 19m - 19T - M1	b	"	105.9	"	49.5	56.4	"	"	"	"
IUTA - 25T - 25m - M1	d	25 x 22	124	62	62	67.9	39	22	50.5	34
IUTA - 25m - 25T - 25T - M1	c	"	129.9	67.9	"	62	"	"	"	"
IUTA - 25m - 25T - M1	a	"	135.8	"	67.9	"	"	"	"	"
IUTA - 25m - 25m - 25T - M1	b	"	129.9	"	62	67.9	"	"	"	"

•PART NO. 외에 사이즈는 영업부에 문의하여 주시기 바랍니다 PART NO. Please inquire about other sizes with the sales department

PFA射出
Injection VALVE

PTFE基
PTFE Processing

PVC射出
Injection VALVE

SUS VALVE

BELLOWS PUMP

FLOWMETER

PFA FITTING
(Mega Lock Type)

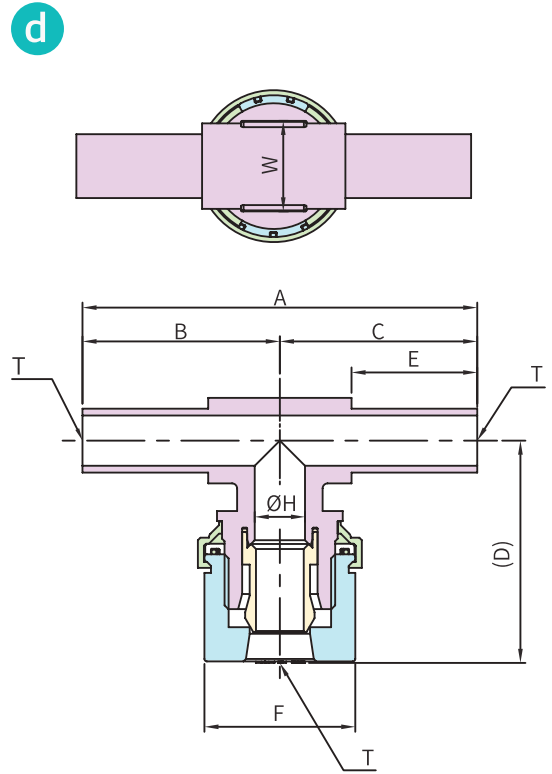
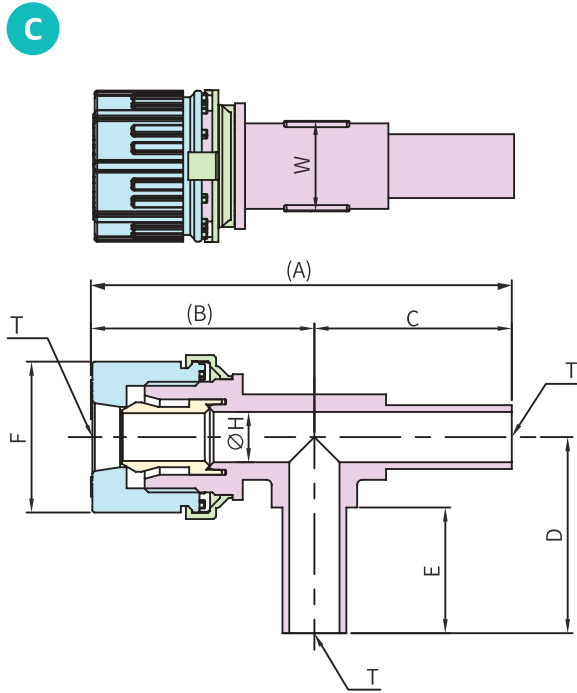
PFA WELDING FITTING
(Welding Type)

PRODUCTS

UNION TEE ADAPTOR

▼ TUBE END TYPE

IUTA



INCH TUBE TYPE

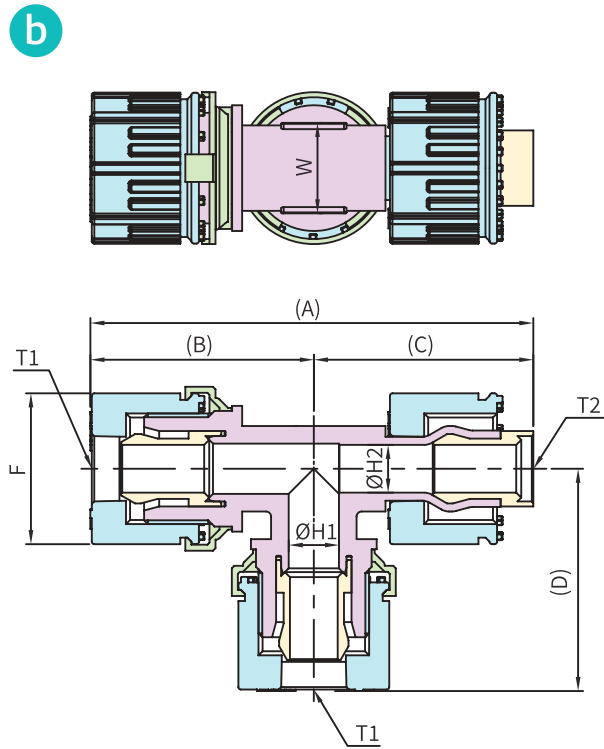
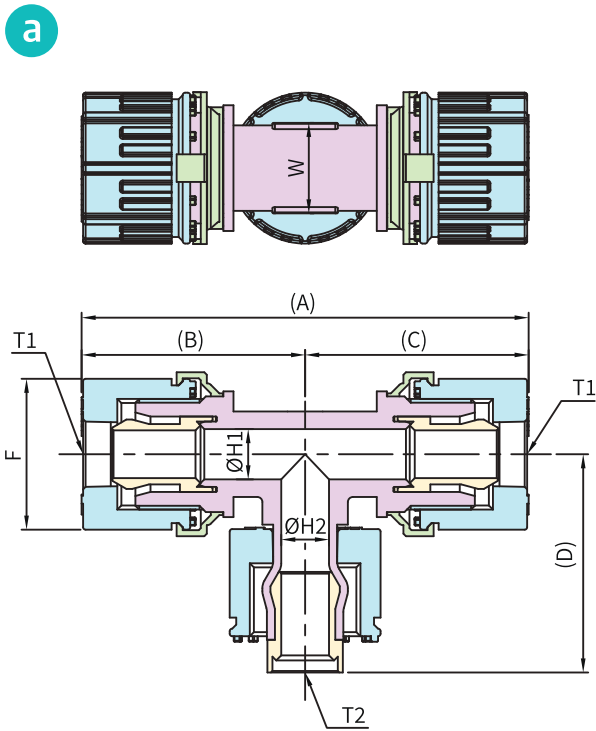
PART No.		Tube Size	A(A)	B(B)	C(C)	D(D)	E	ØH	F	W
Inch connection			Dimension : mm							
IUTA - 14T - 14i - M1	d	1/4" x 5/32"	53	26.5	26.5	30.4	17.5	4	17	9.6
IUTA - 14i - 14T - 14T - M1	c	"	56.9	30.4	"	26.5	"	"	"	"
IUTA - 14i - 14T - M1	a	"	60.8	"	30.4	"	"	"	"	"
IUTA - 14i - 14i - 14T - M1	b	"	56.9	"	26.5	30.4	"	"	"	"
IUTA - 38T - 38i - M1	d	3/8" x 1/4"	66.8	33.4	33.4	37.8	21	8	25	14.8
IUTA - 38i - 38T - 38T - M1	c	"	71.3	37.9	"	33.3	"	"	"	"
IUTA - 38i - 38T - M1	a	"	75.8	"	37.9	"	"	"	"	"
IUTA - 38i - 38i - 38T - M1	b	"	71.3	"	33.4	37.8	"	"	"	"
IUTA - 12T - 12i - M1	d	1/2" x 3/8"	78.5	39.25	39.25	44.2	25	10	30	18
IUTA - 12i - 12T - 12T - M1	c	"	83.7	44.45	"	39	"	"	"	"
IUTA - 12i - 12T - M1	a	"	88.9	"	44.45	"	"	"	"	"
IUTA - 12i - 12i - 12T - M1	b	"	83.7	"	39.25	44.2	"	"	"	"
IUTA - 34T - 34i - M1	d	3/4" x 5/8"	99	49.5	49.5	56.4	31	16	40	27
IUTA - 34i - 34T - 34T - M1	c	"	105.9	56.4	"	49.5	"	"	"	"
IUTA - 34i - 34T - M1	a	"	112.8	"	56.4	"	"	"	"	"
IUTA - 34i - 34i - 34T - M1	b	"	105.9	"	49.5	56.4	"	"	"	"
IUTA - 1T - 1i - M1	d	1" x 7/8"	124	62	62	67.9	39	22	50.5	34
IUTA - 1i - 1T - 1T - M1	c	"	129.9	67.9	"	62	"	"	"	"
IUTA - 1i - 1T - M1	a	"	135.8	"	67.9	"	"	"	"	"
IUTA - 1i - 1i - 1T - M1	b	"	129.9	"	62	67.9	"	"	"	"

•PART NO. 외에 사이즈는 영업부에 문의하여 주시기 바랍니다 PART NO. Please inquire about other sizes with the sales department

UNION TEE ADAPTOR

▼ SLEEVE & NUT SET

IUTA



METRIC TUBE TYPE

PART No.	Tube Size T1	Connectable Body Size T2	(A)	(B)	(C)	(D)	ØH1	ØH2	F	W	
metric connection											
Dimension : mm											
IUTA - 6A - 6m - M1	d	6 x 4	6	57.8	28.9	28.9	30.4	4	4	17	9.6
IUTA - 6m - 6A - 6A - M1	c	"	"	59.3	30.4	"	28.9	"	"	"	"
IUTA - 6m - 6A - M1	a	"	"	60.8	"	30.4	"	"	"	"	"
IUTA - 6m - 6m - 6A - M1	b	"	"	59.3	"	28.9	30.4	"	"	"	"
IUTA - 8A - 8m - M1	d	8 x 6	8	65.2	32.6	32.6	33.7	6	6	20	13
IUTA - 8m - 8A - 8A - M1	c	"	"	66.3	33.7	"	32.6	"	"	"	"
IUTA - 8m - 8A - M1	a	"	"	67.4	"	33.7	"	"	"	"	"
IUTA - 8m - 8m - 8A	b	"	"	66.3	"	32.6	33.7	"	"	"	"
IUTA - 10A - 10m - M1	d	10 x 8	10	73.6	36.8	36.8	37.8	8	8	25	14.8
IUTA - 10m - 10A - 10A - M1	c	"	"	74.7	37.9	"	36.7	"	"	"	"
IUTA - 10m - 10A - M1	a	"	"	75.8	"	37.9	"	"	"	"	"
IUTA - 10m - 10m - 10A - M1	b	"	"	74.7	"	36.8	37.8	"	"	"	"
IUTA - 12mA - 12m - M1	d	12 x 10	12	87.3	43.65	43.65	44.2	10	10	30	18
IUTA - 12m - 12mA - 12mA - M1	c	"	"	88.1	44.45	"	43.4	"	"	"	"
IUTA - 12m - 12mA - M1	a	"	"	88.9	"	44.45	"	"	"	"	"
IUTA - 12m - 12m - 12mA - M1	b	"	"	88.1	"	43.65	44.2	"	"	"	"
IUTA - 19A - 19m - M1	d	19 x 15.8	19	109.4	54.7	54.7	56.4	16	15.8	40	27
IUTA - 19m - 19A - 19A - M1	c	"	"	111.1	56.4	"	54.7	"	"	"	"
IUTA - 19m - 19A - M1	a	"	"	112.8	"	56.4	"	"	"	"	"
IUTA - 19m - 19m - 19A - M1	b	"	"	111.1	"	54.7	56.4	"	"	"	"
IUTA - 25A - 25m - M1	d	25 x 22	25	138	69	69	67.9	22	22	50.5	34
IUTA - 25m - 25A - 25A - M1	c	"	"	136.9	67.9	"	69	"	"	"	"
IUTA - 25m - 25A - M1	a	"	"	135.8	"	67.9	"	"	"	"	"
IUTA - 25m - 25m - 25A - M1	b	"	"	136.9	"	69	67.9	"	"	"	"

•PART NO. 외에 사이즈는 영업부에 문의하여 주시기 바랍니다

PART NO. Please inquire about other sizes with the sales department

PFA 사출
Injection VALVE

PTFE 기공
PTFE Processing

PVC 사출
Injection VALVE

SUS VALVE

BELLOWS PUMP

FLOWMETER

PFA FITTING
(Mega Lock Type)

PFA WELDING FITTING
(Welding Type)

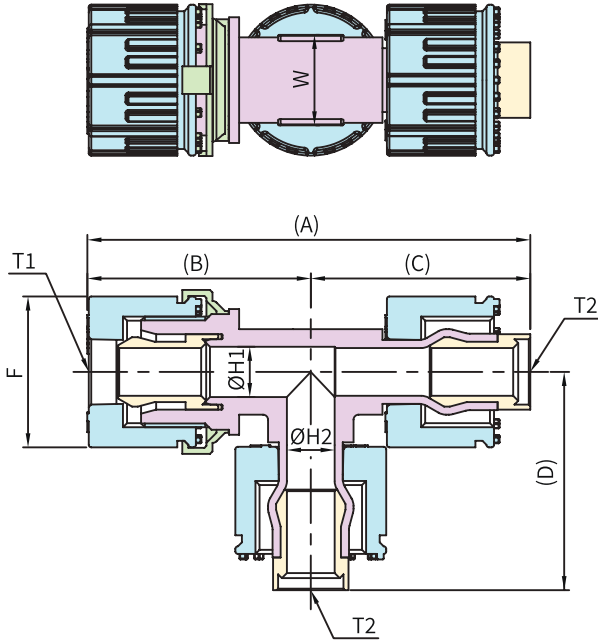
PRODUCTS

UNION TEE ADAPTOR

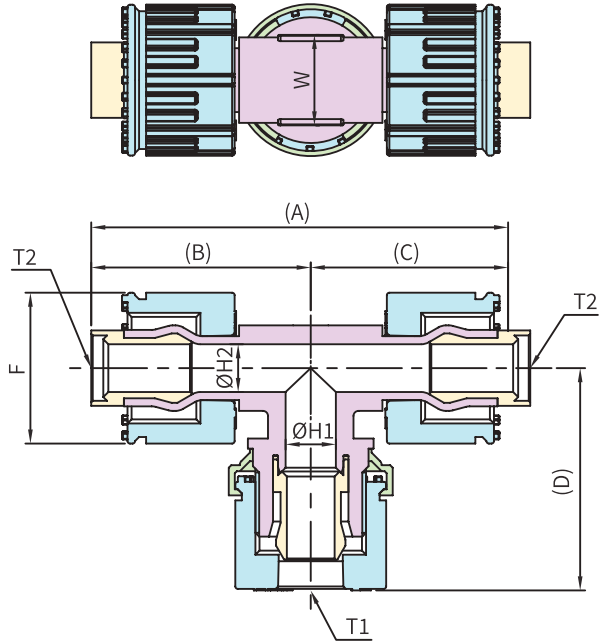
▼ SLEEVE & NUT SET

IUTA

c



d



■ INCH TUBE TYPE

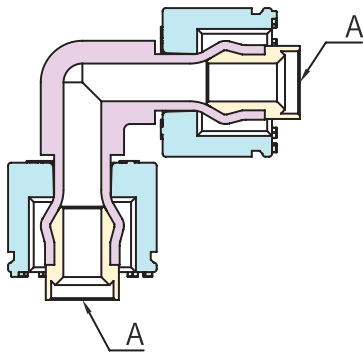
PART No.		Tube Size T1	Connectable Body Size T2	(A)	(B)	(C)	(D)	ØH1	ØH2	F	W	
Inch connection											Dimension : mm	
IUTA - 14A - 14i - M1	d	1/4" x 5/32"	1/4"	57.8	28.9	28.9	30.4	4	3.95	17	9.6	
IUTA - 14i - 14A - 14A - M1	c	"	"	59.3	30.4	"	28.9	"	"	"	"	
IUTA - 14i - 14A - M1	a	"	"	60.8	"	30.4	"	"	"	"	"	
IUTA - 14i - 14i - 14A - M1	b	"	"	59.3	"	28.9	30.4	"	"	"	"	
IUTA - 38A - 38i - M1	d	3/8" x 1/4"	3/8"	73.6	36.8	36.8	37.8	8	6.33	25	14.8	
IUTA - 38i - 38A - 38A - M1	c	"	"	74.7	37.9	"	36.7	"	"	"	"	
IUTA - 38i - 38A - M1	a	"	"	75.8	"	37.9	"	"	"	"	"	
IUTA - 38i - 38i - 38A - M1	b	"	"	74.7	"	36.8	37.8	"	"	"	"	
IUTA - 12A - 12i - M1	d	1/2" x 3/8"	1/2"	87.3	43.65	43.65	44.2	10	9.5	30	18	
IUTA - 12i - 12A - 12A - M1	c	"	"	88.1	44.45	"	43.4	"	"	"	"	
IUTA - 12i - 12A - M1	a	"	"	88.9	"	44.45	"	"	"	"	"	
IUTA - 12i - 12i - 12A - M1	b	"	"	88.1	"	43.65	44.2	"	"	"	"	
IUTA - 34A - 34i - M1	d	3/4" x 5/8"	3/4"	109.4	54.7	54.7	56.4	16	15.8	40	27	
IUTA - 34i - 34A - 34A - M1	c	"	"	111.1	56.4	"	54.7	"	"	"	"	
IUTA - 34i - 34A - M1	a	"	"	112.8	"	56.4	"	"	"	"	"	
IUTA - 34i - 34i - 34A - M1	b	"	"	111.1	"	54.7	56.4	"	"	"	"	
IUTA - 1A - 1i - M1	d	1" x 7/8"	1"	138	69	69	67.9	22	22.2	50.5	34	
IUTA - 1i - 1A - 1A - M1	c	"	"	136.9	67.9	"	69	"	"	"	"	
IUTA - 1i - 1A - M1	a	"	"	135.8	"	67.9	"	"	"	"	"	
IUTA - 1i - 1i - 1A - M1	b	"	"	136.9	"	69	67.9	"	"	"	"	

•PART NO. 외에 사이즈는 영업부예 문의하여 주시기 바랍니다

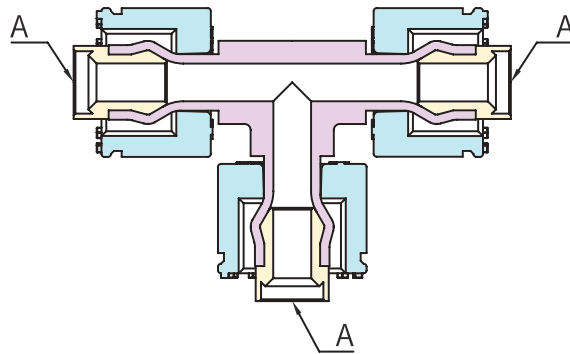
PART NO. Please inquire about other sizes with the sales department

ADAPTOR

**ELBOW ADAPTOR
(SLEEVE & NUT SET)**



**TEE ADAPTOR
(SLEEVE & NUT SET)**



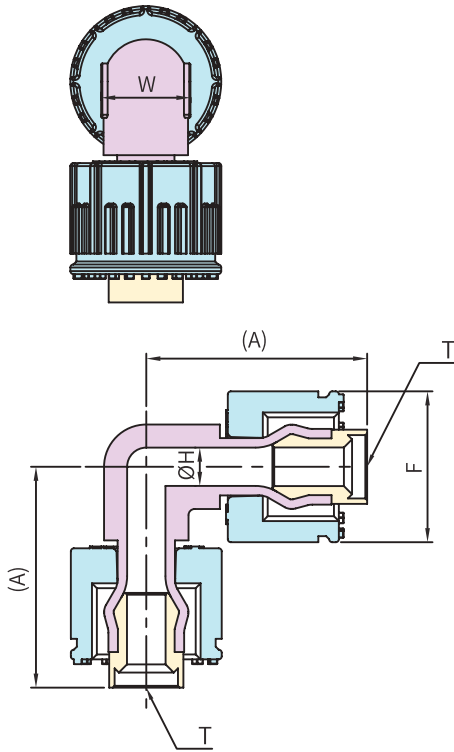
IEA - 12A - 12A - M1

- M1 : Mega Lock Type (사출Injection)
- Size : (A=Sleeve & Nut Set)
- IEA : Innodis Elbow Adaptor
- ITA : Innodis TEE Adaptor

ELBOW ADAPTOR

▼ SLEEVE & NUT SET

IEA



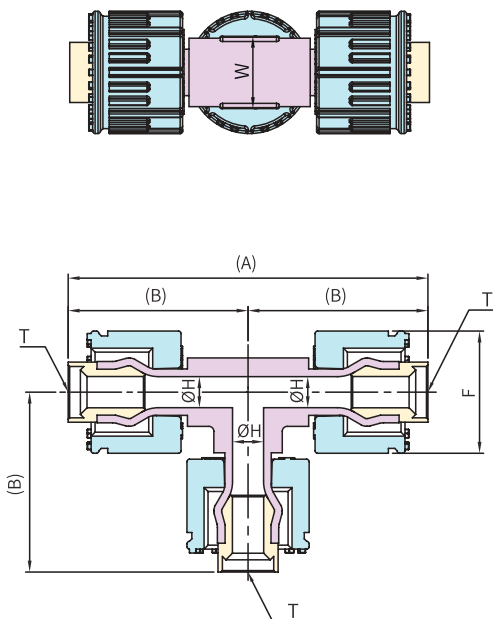
PART No.	Connectable Body Size T	(A)	ØH	F	W
metric connection		Dimension : mm			
IEA - 6A - 6A - M1	6	28.9	4	17	9.6
IEA - 8A - 8A - M1	8	12.5	6	20	12.5
IEA - 10A - 10A - M1	10	36.6	8	25	14.8
IEA - 12mA - 12mA - M1	12	43.4	10	30	18
IEA - 19A - 19A - M1	19	54.7	15.8	40	27
IEA - 25A - 25A - M1	25	68.8	22	50.5	34
Inch connection		Dimension : mm			
IEA - 14A - 14A - M1	1/4"	28.9	3.95	17	9.6
IEA - 38A - 38A - M1	3/8"	36.6	6.33	25	14.8
IEA - 12A - 12A - M1	1/2"	43.4	9.5	30	18
IEA - 34A - 34A - M1	3/4"	54.7	15.8	40	27
IEA - 1A - 1A - M1	1"	68.8	22.2	50.5	34

•PART NO. 외에 사이즈는 영업부에 문의하여 주시기 바랍니다
PART NO. Please inquire about other sizes with the sales department

TEE ADAPTOR

▼ SLEEVE & NUT SET

ITA

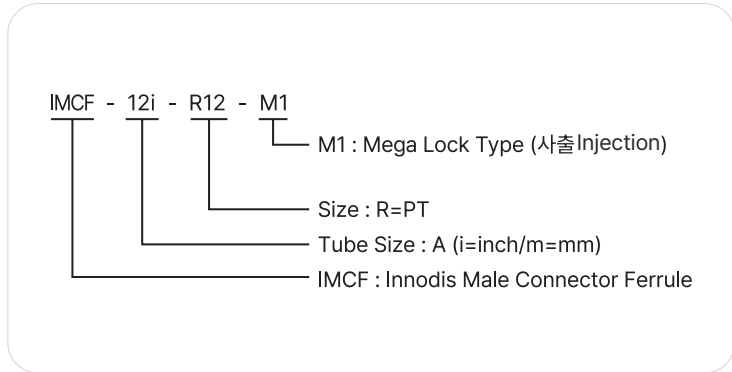
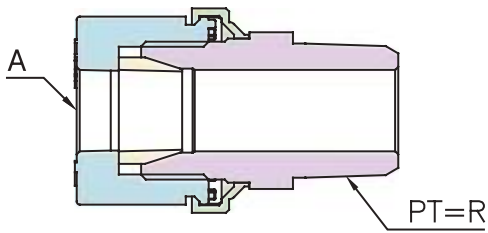


PART No.	Connectable Body Size T	(A)	(B)	ØH	F	W
metric connection		Dimension : mm				
ITA - 6A - 6A - M1	6	57.8	28.9	4	17	9.6
ITA - 8A - 8A - M1	8	65.2	32.6	6	20	13
ITA - 10A - 10A - M1	10	73.6	36.8	8	25	14.8
ITA - 12mA - 12mA - M1	12	87.3	43.4	10	30	18
ITA - 19A - 19A - M1	19	109.4	54.7	15.8	40	27
ITA - 25A - 25A - M1	25	138	69	22	50.5	34
Inch connection		Dimension : mm				
ITA - 14A - 14A - M1	1/4"	57.8	28.9	3.95	17	9.6
ITA - 38A - 38A - M1	3/8"	73.6	36.8	6.33	25	14.8
ITA - 12A - 12A - M1	1/2"	87.3	43.4	9.5	30	18
ITA - 34A - 34A - M1	3/4"	109.4	54.7	15.8	40	27
ITA - 1A - 1A - M1	1"	138	69	22.2	50.5	34

•PART NO. 외에 사이즈는 영업부에 문의하여 주시기 바랍니다
PART NO. Please inquire about other sizes with the sales department

MALE CONNECTOR THROUGH

FERRULE TYPE

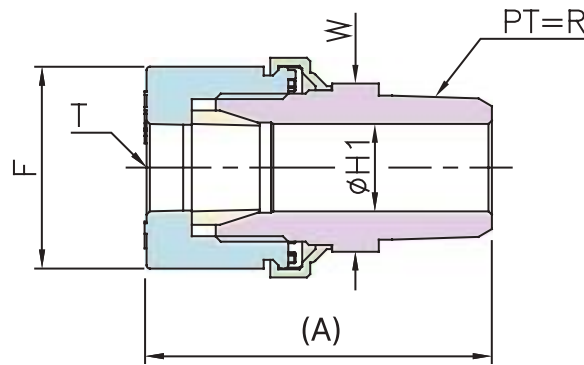


MALE CONNECTOR THROUGH (FERRULE TYPE)

•압력이나 씰링을 요하는 구간은 확장형 피팅 사용을 권장합니다
We recommend using expansion fittings for sections requiring pressure or sealing

MALE CONNECTOR THROUGH

IMCF | FERRULE TYPE(관통형 피팅)



PART No.	Tube Size	Thread Size	(A)	ØH1	F	W
metric connection (R=PT) Dimension : mm						
IMCF - 6m - R18 - M1	6 x 4	R 1/8	34.9	6.5	17.3	16
IMCF - 6m - R14 - M1	"	R 1/4	38.9	"	"	"
IMCF - 6m - R38 - M1	"	R 3/8	"	10	"	"
IMCF - 8m - R14 - M1	8 x 6	R 1/4	40.7	8.2	19.5	18
IMCF - 8m - R38 - M1	"	R 3/8	"	"	"	"
IMCF - 8m - R12 - M1	"	R 1/2	44.7	"	22.7	21
IMCF - 10m - R38 - M1	10 x 8	R 3/8	43.5	10.2	"	"
IMCF - 10m - R12 - M1	"	R 1/2	47.5	"	"	"
IMCF - 12m - R38 - M1	12 x 10	R 3/8	48.2	12.2	27	25
IMCF - 12m - R12 - M1	"	R 1/2	52.2	"	"	"
IMCF - 19m - R34 - M1	19 x 15.8	R 3/4	64.4	19.2	36.8	34
IMCF - 25m - R1 - M1	25 x 22	R 1	78.1	25.6	46.5	43
Inch connection (R=PT) Dimension : mm						
IMCF - 14i - R18 - M1	1/4" x 5/32"	R 1/8	34.9	6.5	17.3	16
IMCF - 14i - R14 - M1	"	R 1/4	38.9	"	"	"
IMCF - 14i - R38 - M1	"	R 3/8	"	10	"	"
IMCF - 38i - R38 - M1	3/8" x 1/4"	R 3/8	43.5	9.7	22.7	21
IMCF - 38i - R12 - M1	"	R 1/2	47.5	"	"	"
IMCF - 12i - R38 - M1	1/2" x 3/8"	R 3/8	48.2	13	27	25
IMCF - 12i - R12 - M1	"	R 1/2	52.2	"	"	"
IMCF - 34i - R34 - M1	3/4" x 5/8"	R 3/4	64.4	19.2	36.8	34
IMCF - 1i - R1 - M1	1" x 7/8"	R 1	78.1	25.6	46.5	43

•PART NO. 외에 사이즈는 영업부에 문의하여 주시기 바랍니다 PART NO. Please inquire about other sizes with the sales department

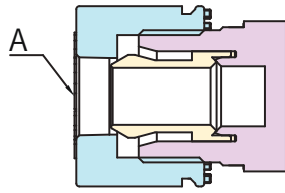
05

OTHERS

TUBE CAP
CAP SLEEVE
NUT
SLEEVE

TUBE CAP

TUBE CAP



IF - TC12i - M1

M1 : Mega Lock Type (사출 Injection)
MF:PFA(가공Processing) / MT:PTFE(가공Processing)

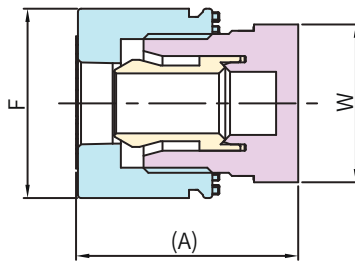
TC : Tube Cap
Tube Size : A (i=inch/m=mm)

IF : Innodis Fitting

Nut, Sleeve, Lock gauge는 미포함 상품입니다. Not include Nut, Sleeve, Lock gauge.

TUBE CAP

IF-TC



PART No.	Tube Size	(A)	F	W
metric connection				Dimension : mm
IF - TC3m - MT/MF	3 x 2	22	12.7	13.9
IF - TC4m - MT/MF	4 x 3	25.9	17	16
IF - TC6m - M1	6 x 4	27.7	20	18
IF - TC8m - M1	8 x 6	30.5	25	21
IF - TC10m - M1	10 x 8	35.2	30	25
IF - TC12m - M1	12 x 10	45.4	40	34
IF - TC19m - M1	19 x 15.8	56.9	50.5	43
IF - TC25m - M1	25 x 22			
Inch connection				Dimension : mm
IF - TC18i - MT/MF	1/8" x 0.086"	22	12.7	13.9
IF - TC14i - M1	1/4" x 5/32"	25.9	17	16
IF - TC38i - M1	3/8" x 1/4"	30.5	25	21
IF - TC12i - M1	1/2" x 3/8"	35.2	30	25
IF - TC34i - M1	3/4" x 5/8"	45.4	40	34
IF - TC1i - M1	1" x 7/8"	56.9	50.5	43

PFA 사출 Injection VALVE

PTFE 가공 PTFE Processing

PVC 사출 Injection VALVE

SUS VALVE

BELLOWS PUMP

FLOWMETER

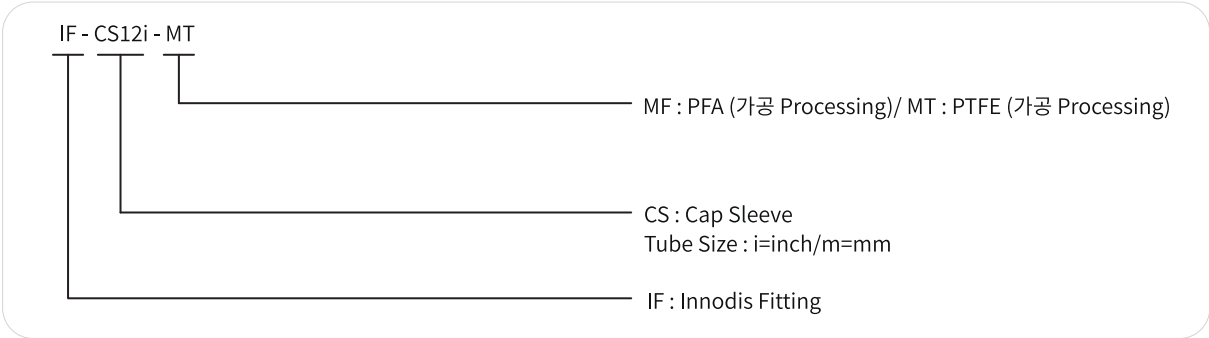
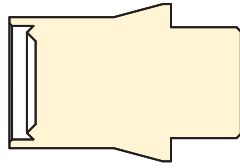
PFA FITTING (Mega Lock Type)

PFA WELDING FITTING (Welding Type)

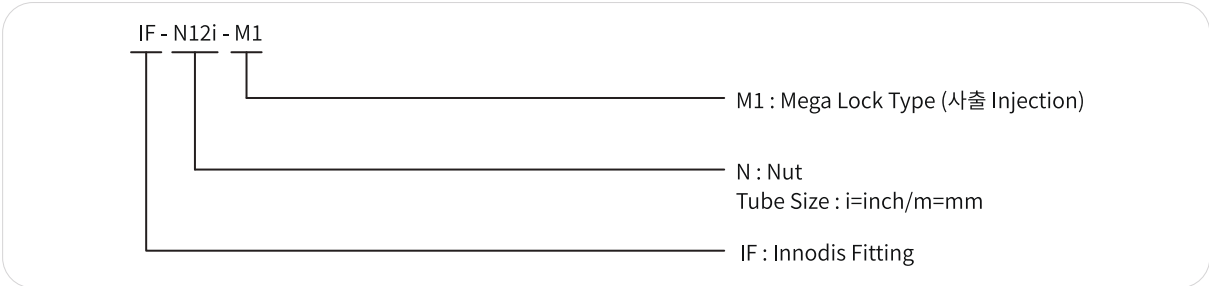
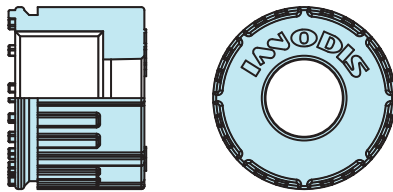
PRODUCTS

CAP SLEEVE, UNION NUT, SLEEVE

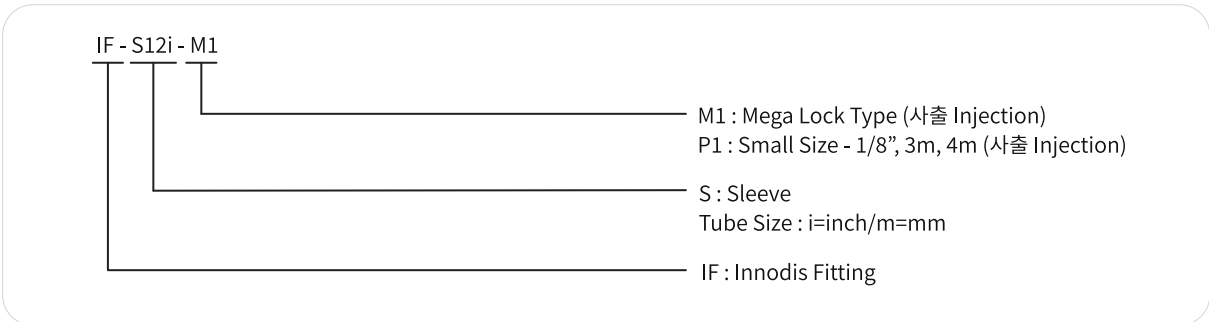
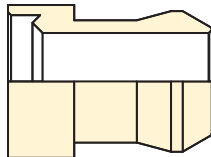
CAP SLEEVE



UNION NUT

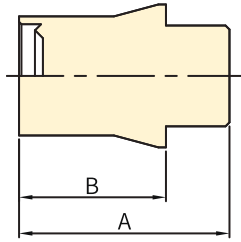


SLEEVE



CAP SLEEVE

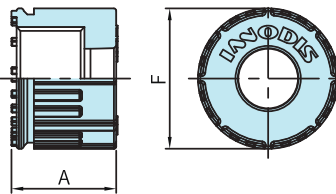
IF-CS



PART No.	Tube Size	A	B
metric connection		Dimension : mm	
IF - CS3m - MF	3 x 2	12.3	9.8
IF - CS4m - MF	4 x 3	//	//
IF - CS6m - MF	6 x 4	17.5	11.5
IF - CS8m - MF	8 x 6	19	12.6
IF - CS10m - MF	10 x 8	21.2	14.2
IF - CS12m - MF	12 x 10	27	19
IF - CS19m - MF	19 x 15.8	32.8	23.8
IF - CS25m - MF	25 x 22	40.2	30.2
Inch connection		Dimension : mm	
IF - CS18i - MF	1/8" x 0.086"	12.3	9.8
IF - CS14i - MF	1/4" x 5/32"	17.5	11.5
IF - CS38i - MF	3/8" x 1/4"	21.2	14.2
IF - CS12i - MF	1/2" x 3/8"	27	19
IF - CS34i - MF	3/4" x 5/8"	32.8	23.8
IF - CS1i - MF	1" x 7/8"	40.2	30.2

NUT

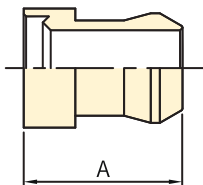
IF-N



PART No.	Tube Size	A	F	W
metric connection		Dimension : mm		
IF - N3m - M1	3 x 2	10	12.7	11
IF - N4m - M1	4 x 3	//	//	//
IF - N6m - M1	6 x 4	15.8	17	-
IF - N8m - M1	8 x 6	17.9	20	-
IF - N10m - M1	10 x 8	19.5	25	-
IF - N12m - M1	12 x 10	22.7	30	-
IF - N19m - M1	19 x 15.8	28.8	40	-
IF - N25m - M1	25 x 22	33.8	50.5	-
Inch connection		Dimension : mm		
IF - N18i - M1	1/8" x 0.086"	10	12.7	11
IF - N14i - M1	1/4" x 5/32"	15.8	17	-
IF - N38i - M1	3/8" x 1/4"	19.5	25	-
IF - N12i - M1	1/2" x 3/8"	22.7	30	-
IF - N34i - M1	3/4" x 5/8"	28.8	40	-
IF - N1i - M1	1" x 7/8"	33.8	50.5	-

SLEEVE

IF-S



PART No.	Tube Size	A
metric connection		Dimension : mm
IF - S3m - P1	3 x 2	10
IF - S4m - P1	4 x 3	//
IF - S6m - M1	6 x 4	12.5
IF - S8m - M1	8 x 6	14
IF - S10m - M1	10 x 8	15.8
IF - S12m - M1	12 x 10	20.2
IF - S19m - M1	19 x 15.8	24.3
IF - S25m - M1	25 x 22	31
Inch connection		Dimension : mm
IF - S18i - P1	1/8" x 0.086"	10
IF - S14i - M1	1/4" x 5/32"	12.4
IF - S38i - M1	3/8" x 1/4"	15.7
IF - S12i - M1	1/2" x 3/8"	20
IF - S34i - M1	3/4" x 5/8"	24.3
IF - S1i - M1	1" x 7/8"	31

PFA 사출
Injection VALVE

PTFE 가공
PTFE Processing

PVC 사출
Injection VALVE

SUS VALVE

BELLOWS PUMP

FLOWMETER

PFA FITTING
(Mega Lock Type)

PFA WELDING FITTING
(Welding Type)

PRODUCTS

06

FITTING JIG

TUBE EXPANDING JIG
NUT ASSEMBLY JIG

TUBE EXPANDING JIG

MEGA LOCK TYPE



Tube Expanding Gun

* Body Size. 296(W) x 160(L) x 47(H)

Size	Code No	Weight
1/8", 1/4"	IF - TET - J1 - M1	750g
3mm ~ 8mm	IF - TET - J1M - M1	750g



Tube Expanding Tool

* Body Size. 310(W) x 105(L) x 62(H)

Size	Code No	Weight
3/8" ~ 1"	IF - TET - J2 - M1	2650g
10mm ~ 25mm	IF - TET - J2M - M1	2650g



Tube Expanding Jig <Rod Type>

Part Name	Size	Code No	Weight
Set Code No	Inch	IFER - i - S - M1	570g
	mm	IFER - M - S - M1	630g



Tube Expanding Jig (L) / Sleeve Fix Jig (R) / 대구경 Expanding Jig

Part Name	Size	Code No	Weight
Set Code No	Inch	IFEF - i - S - M1	940g
	mm	IFEF - M - S - M1	940g
	1-1/4"	IFEF-114i-S	-
	1-1/2"	IFEF-112i-S	-

NUT ASSEMBLY JIG



Part Name	Size	Code No	Weight
Nut Assembly Jig	1/4" (6mm)	IFA - 14i - M1	5g
	8mm	IFA - 8m - M1	5g
	3/8" (10mm)	IFA - 38i - M1	10g
	1/2" (12mm)	IFA - 12i - M1	15g
	3/4" (19mm)	IFA - 34i - M1	30g
	1" (25mm)	IFA - 1i - M1	40g
Set Code No	Inch / mm	IFA - SET - M1	295g

PFA 사출
Injection VALVE

PTFE 가공
PTFE Processing

PVC 사출
Injection VALVE

SUS VALVE

BELLOWS PUMP

FLOWMETER

PFA FITTING
(Mega Lock Type)

PFA WELDING FITTING
(Welding Type)

PRODUCTS

PFA Welding Fitting

(Welding Type)

- 01 PFA WELDING FITTING**
 - WELDING CONNECTOR
 - WELDING ELBOW
 - WELDING TEE
 - REDUCING WELDING ELBOW
 - REDUCING WELDING TEE

- 02 Others**
 - FUSION WELDING MACHINE

PFA Welding Fitting

WELDING TYPE

맞대기 용착(BUTT WELDING)용의 피팅으로, 기존 TUBE FITTING 체결방식인 FLARE TYPE, FERRULE TYPE 보다 저렴하고 간결한 배관을 구성할 수 있으며, 너트의 풀림이 없으므로 누액 및 누수로부터 안전하게 사용할 수 있습니다.

This Butt Welding Fitting can be configured with more economical and simpler piping than the existing Tube Fitting fastening methods, such as Flare Type or Ferrule Type, and it is used safely fluid leakage-free without any loosening of the nut.



PFA 사출
Injection VALVE

PTFE 가공
PTFE Processing

PVC 사출
Injection VALVE

SUS VALVE

BELLOWS PUMP

FLOWMETER

PFA FITTING
(Mega Lock Type)

PFA WELDING FITTING
(Welding Type)

PRODUCTS

CHARACTERISTICS

- 다른 체결방식의 피팅보다 가격이 저렴**
 More economical than the fitting with other fastening methods
- 용착 부위가 협소하여 공간 절약 및 좁은 공간에 간결한 배관 구성이 가능**
 Narrow welding area saves space and enables simple piping configuration in tight spaces
- 너트 풀림이 없으므로 누액(LEAK) 및 누수로부터 안전하게 사용**
 It is used safely fluid leakage-free without any loosening of nuts
- 확관 피팅과 튜브 없이 체결 가능**
 Able to be fastened without expansion fittings and tubes
- 다른 체결방식보다 LEAK POINT가 적고 용착만으로 체결되어 무게가 가벼움**
 Fewer leak points than other fastening methods, and light weight due to welding-enabled fastening

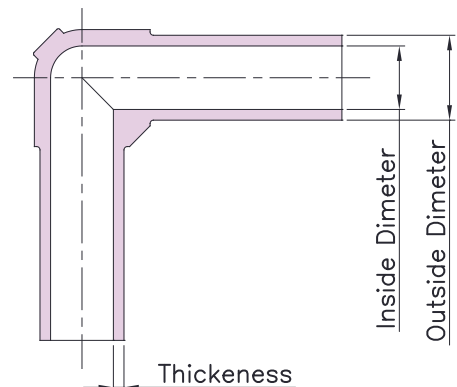
SPECIFICATION

SPECIFICATION	
Material	PFA 고순도(Daikin AP-210SH)
Max temperature in operation	200°C
Ambient temperature range	5°C ~ 60°C
Fluid	For liquid use only

TUBE CONNECTION SIZE

Unit : mm

TUBE SIZE	OUTSIDE DIAMETER	INSIDE DIAMETER	THICKNESS
1/4"	6.35	3.95	1.2
3/8"	9.53	6.33	1.6
1/2"	12.70	9.50	1.6
3/4"	19.05	15.85	1.6
1"	25.40	22.20	1.6



01

PFA WELDING FITTING

WELDING CONNECTOR

WELDING ELBOW

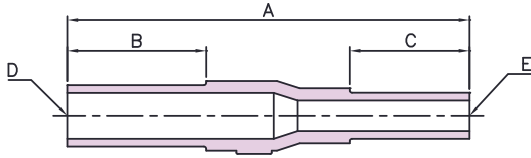
WELDING TEE

REDUCING WELDING ELBOW

REDUCING WELDING TEE

WELDING CONNECTOR

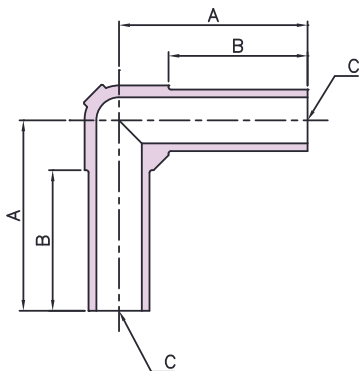
IRWC



PART No.	A	B	C	D (TUBE SIZE)	E (TUBE SIZE)
Inch connection			Dimension : mm		
IRWC-38i-14i-H	75	25	20	3/8" x 1/4"	1/4" x 5/32"
IRWC-12i-14i-H	79	29	//	1/2" x 3/8"	//
IRWC-12i-38i-H	84	//	25	//	3/8" x 1/4"
IRWC-34i-14i-H	85	35	20	3/4" x 5/8"	1/4" x 5/32"
IRWC-34i-38i-H	90	//	25	//	3/8" x 1/4"
IRWC-34i-12i-H	94	//	29	//	1/2" x 3/8"
IRWC-1i-14i-H	95.5	45.5	20	1" x 7/8"	1/4" x 5/32"
IRWC-1i-38i-H	100.5	//	25	//	3/8" x 1/4"
IRWC-1i-12i-H	14.5	//	29	//	1/2" x 3/8"
IRWC-1i-34i-H	110.5	//	35	//	3/4" x 5/8"

WELDING ELBOW

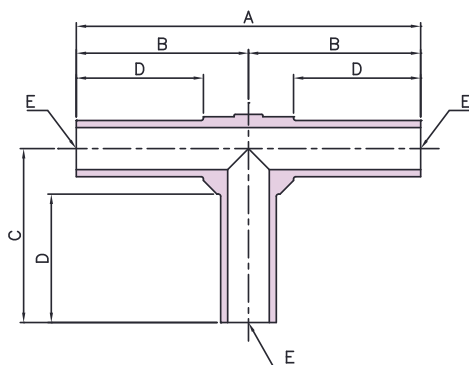
IWE



PART No.	A	B	C (TUBE SIZE)
Inch connection		Dimension : mm	
IWE-14i-14i-H	28.1	20	1/4" x 5/32"
IWE-38i-38i-H	33.4	25	3/8" x 1/4"
IWE-12i-12i-H	39.3	29	1/2" x 3/8"
IWE-34i-34i-H	49.5	35	3/4" x 5/8"
IWE-1i-1i-H	62	45.5	1" x 7/8"

WELDING TEE

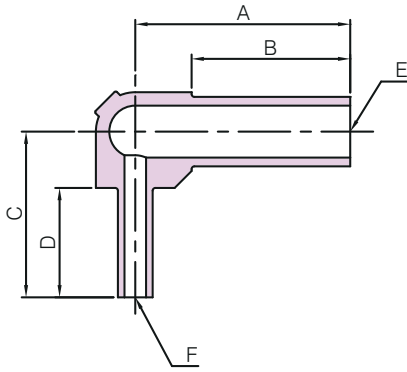
IWT



PART No.	A	B	C	D	E (TUBE SIZE)
Inch connection			Dimension : mm		
IWT-14i-14i-H	56.2	28.1	28.1	20	1/4" x 5/32"
IWT-38i-38i-H	66.8	33.4	33.4	25	3/8" x 1/4"
IWT-12i-12i-H	78.6	39.3	39.3	29	1/2" x 3/8"
IWT-34i-34i-H	90	49.5	49.5	35	3/4" x 5/8"
IWT-1i-1i-H	124	62	62	45.5	1" x 7/8"

REDUCING WELDING ELBOW

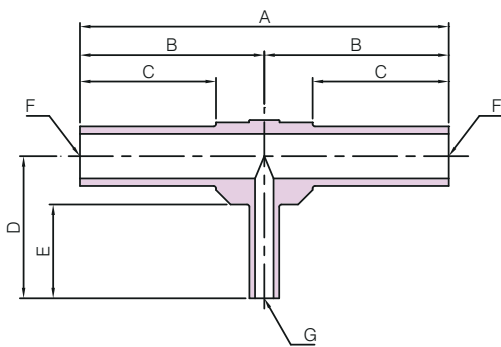
IRWE



PART No.	A	B	C	D	E (TUBE SIZE)	F (TUBE SIZE)
Inch connection				Dimension : mm		
IRWE-38i-14i-H	33.4	25	28.4	20	3/8" x 1/4"	1/4" x 5/32"
IRWE-12i-14i-H	39.3	29	30.3	//	1/2" x 3/8"	//
IRWE-12i-38i-H	//	//	35.3	25	//	3/8" x 1/4"
IRWE-34i-14i-H	49.5	35	34.5	20	3/4" x 5/8"	1/4" x 5/32"
IRWE-34i-38i-H	//	//	39.5	25	//	3/8" x 1/4"
IRWE-34i-12i-H	//	//	43.5	29	//	1/2" x 3/8"
IRWE-1i-14i-H	62	45.5	36.5	20	1" x 7/8"	1/4" x 5/32"
IRWE-1i-38i-H	//	//	41.5	25	//	3/8" x 1/4"
IRWE-1i-12i-H	//	//	45.5	29	//	1/2" x 3/8"
IRWE-1i-34i-H	//	//	51.5	35	//	3/4" x 5/8"

REDUCING WELDING TEE

IRWT



PART No.	A	B	C	D	E	F (TUBE SIZE)	G (TUBE SIZE)
Inch connection				Dimension : mm			
IRWT-38i-14i-H	66.8	33.4	25	28.4	20	3/8" x 1/4"	1/4" x 5/32"
IRWT-12i-14i-H	78.6	39.3	29	30.3	//	1/2" x 3/8"	//
IRWT-12i-38i-H	//	//	//	35.3	25	//	3/8" x 1/4"
IRWT-34i-14i-H	99	49.5	35	34.5	20	3/4" x 5/8"	1/4" x 5/32"
IRWT-34i-38i-H	//	//	//	39.5	25	//	3/8" x 1/4"
IRWT-34i-12i-H	//	//	//	43.5	29	//	1/2" x 3/8"
IRWT-1i-14i-H	124	62	45.5	36.5	20	1" x 7/8"	1/4" x 5/32"
IRWT-1i-38i-H	//	//	//	41.5	25	//	3/8" x 1/4"
IRWT-1i-12i-H	//	//	//	45.5	29	//	1/2" x 3/8"
IRWT-1i-34i-H	//	//	//	51.5	35	//	3/4" x 5/8"



Your guide to innovative production

Our sales offices

SPS Europe B.V.
Midden Engweg 41 3882 TS
Putten
The Netherlands
Tel.: (+31) 341 360 590

SPS France
40, rue Condorcet 38090
Vaulx-Milieu
France
Tel.: (+33) 4 5817 1283

SPS UK
49 Jamaica Street Liverpool,
L1 0AH
United Kingdom
Tel.: (+44) 1750 725 71

SPS Italy
Via Pietro Mascagni 31 20122
Milano
Italy
Tel.: (+39) 3 457 357 177

SPS Germany (Ingolstadt)
Ferdinand-Braun-Straße 16
D-85053 Ingolstadt
Germany
Tel.: (+49) 841 370 530

SPS Germany (Hamburg)
Gaußstraße 5
D-22765 Hamburg
Germany
Tel.: (+49) 171 26 29 173

SPS Germany (Dresden)
Wienerstraße 128
D-01219 Dresden
Germany
Tel.: (+49) 151 2180 7770

SPS Japan
Tokyo
Japan
Tel.: (+81) 80 8755 2098

SPS America - West 16064 SE
Engert Ridge Dr Damascus
Oregon 97089 USA
Tel.: (+1) 503
502 5722

SPS America - East Boston,
Massachusetts USA

SPS Asia
10 Ubi Crescent,
Ubi Techpark Lobby B, #06-18
Singapore 408564, Singapore
Tel.: (+65) 911 30 172