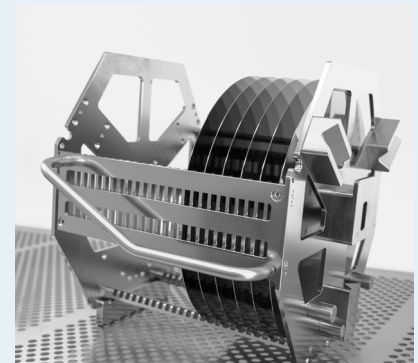
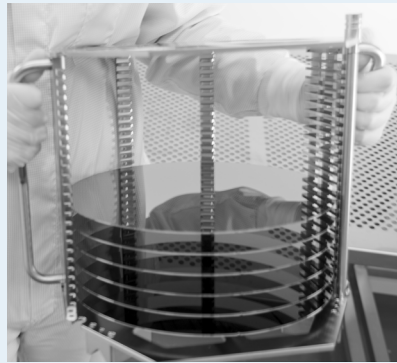
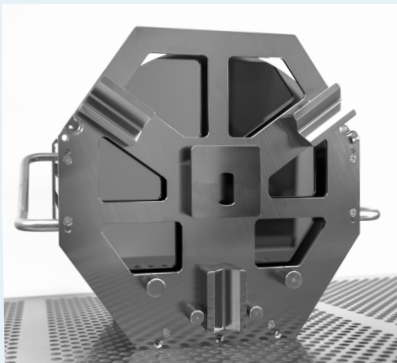
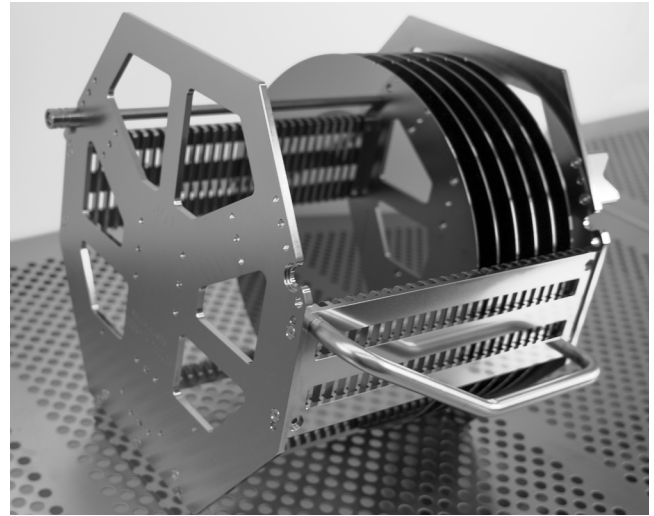


ALUMINUM METAL CASSETTE FOR 300 MM

The WHS-M4 series is a lightweight aluminum cassette designed for 300mm (12") wafers in high-temperature environments. SEMI compliant and compatible with all 300mm load ports, it integrates smoothly into automated systems. Available with a hard clear anodized (HC) or electroless nickel plated (EN) surface finish, the M4 cassette offers superior durability and abrasion resistance for long-term thermal processing and bake applications up to 350°C. The EN finish is ideal where a conductive surface is required.

The WHS-M4 features a 25-slot, 10mm (0.393") pitch design that mirrors the profile of an industry-standard FOUP but with reduced weight, making it easier to handle manually while still ensuring precise wafer placement. For added safety, the cassette is equipped



with a locking latch bar to prevent wafers from sliding out during manual transport, even if an operator makes an error.

Designed with operator comfort in mind, the SEMI S8 compliant side handles feature a power grip profile for secure, controlled handling during manual operations.

The WHS-M4 is ideal for handling thick or bonded wafers, providing a robust, high-performance solution for 300 mm wafer management in cleanroom environments.

Manufactured in an ISO9001 certified facility and CE certified, the WHS-M4 guarantees long-term reliability and safety for semiconductor thermal and automated processing environments.

FEATURES AND ADVANTAGES

- Lightweight aluminum cassette for 300 mm wafers
- SEMI compliant, fits all 300mm load ports
- HC or EN surface finish options available
- Locking latch bar prevents wafer slippage
- SEMI S8 ergonomic handles for secure handling

ALUMINUM METAL CASSETTE FOR 300 MM

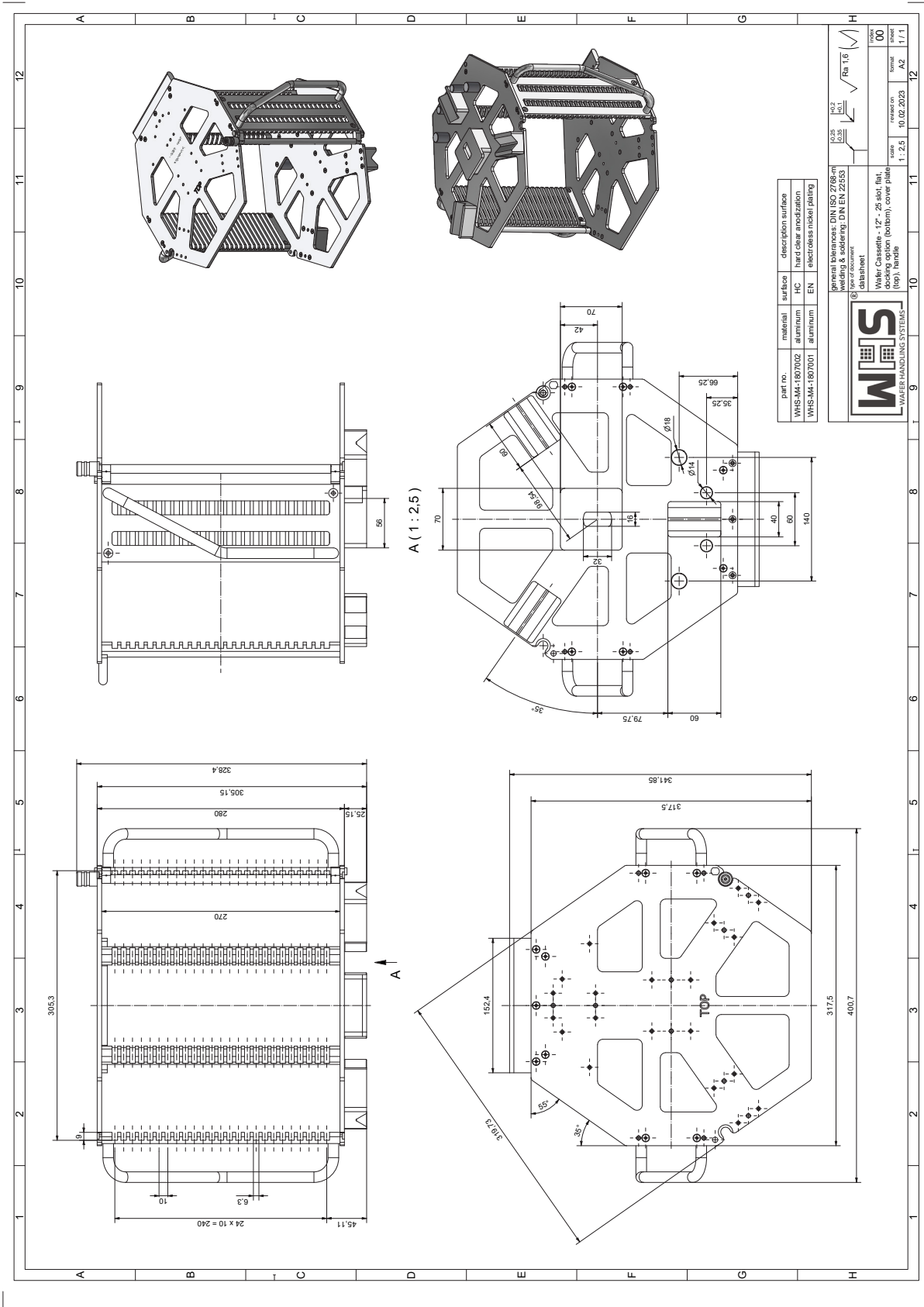
| ITEM | SPECIFICATIONS |
|-----------------|--|
| Wafer sizes | 300 mm |
| Material | T6061 aluminum alloy |
| Surface finish | (HC) hard clear anodization or (EN) Electroless nickel plating |
| Max temperature | 350°C |
| Cleanliness | ISO 3 (Class 1 FS209E) |

Custom configurations available (may incur minimum order quantity amounts): EN-electroless nickel plating on aluminum types for high-vacuum applications; flat profile slotting for thin or thick wafers; end-wall fixed handles; dual h-bar configurations for backside wafer processing. Please send your requests to sales@waferhandlingsystems.com



ORDERING INFORMATION

| WHS-M4- | 1807002 |
|---------|--|
| CODE | MODEL |
| 1807002 | Aluminum Cassette, 12" - 25 slot, slot-shape flat, cover-plate (top), Docking option (bottom) Hard clear anodized finish |
| 1807001 | Aluminum Cassette, 12" - 25 slot, slot-shape flat, cover-plate (top), Docking option (bottom) Electroless nickel plating finish |



REV122024